

## KIARO LED

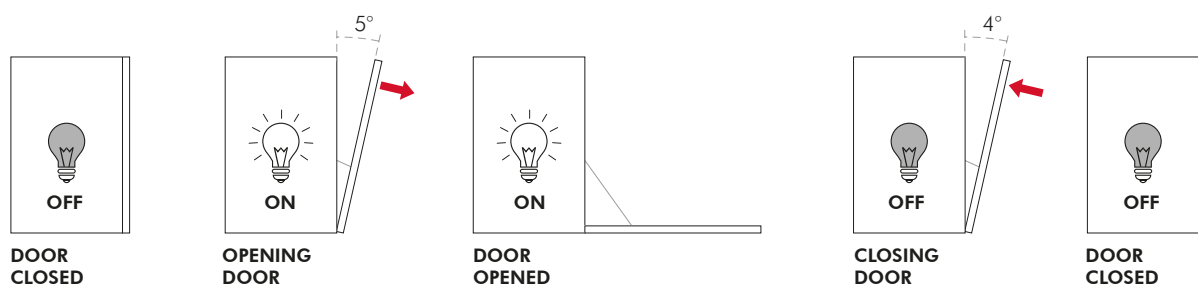
---



The mechanism can be supplied with an integrated device operating as an on-off switch for the internal light, coordinated with the door opening and closing, adding a homely ambiance and a touch of luxury.

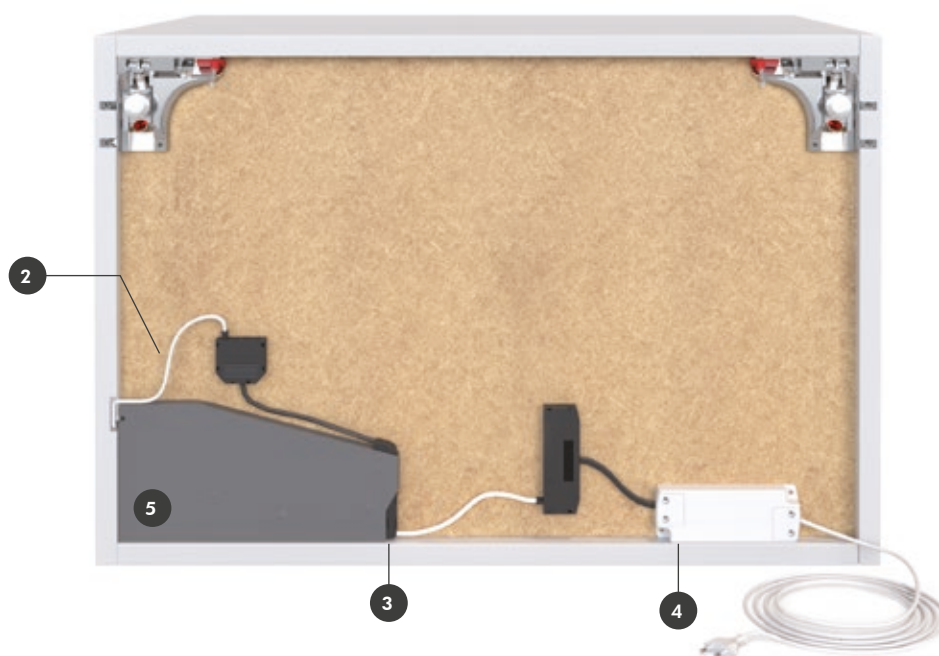
The lighting device of KIARO is to be installed on the concealed mechanism and can work either for the lateral profile with integrated LED strip or for other lighting appliances placed inside the cabinet.

**Thanks to this bespoke device, it is no longer required to make special drilling operations to install visible opening detectors.**



## COMPONENTS FOR APPLICATIONS WITH 1 KIARO LED

---



1 1 x KIARO LED ALUMINIUM PROFILE (pagina 5)  
1 x COVER CAPS SET (pagina 5)

2 1 x LED FLEXIBLE STRIP (pagina 6)

3 1 x SENSOR FOR KIARO LED (pagina 5)

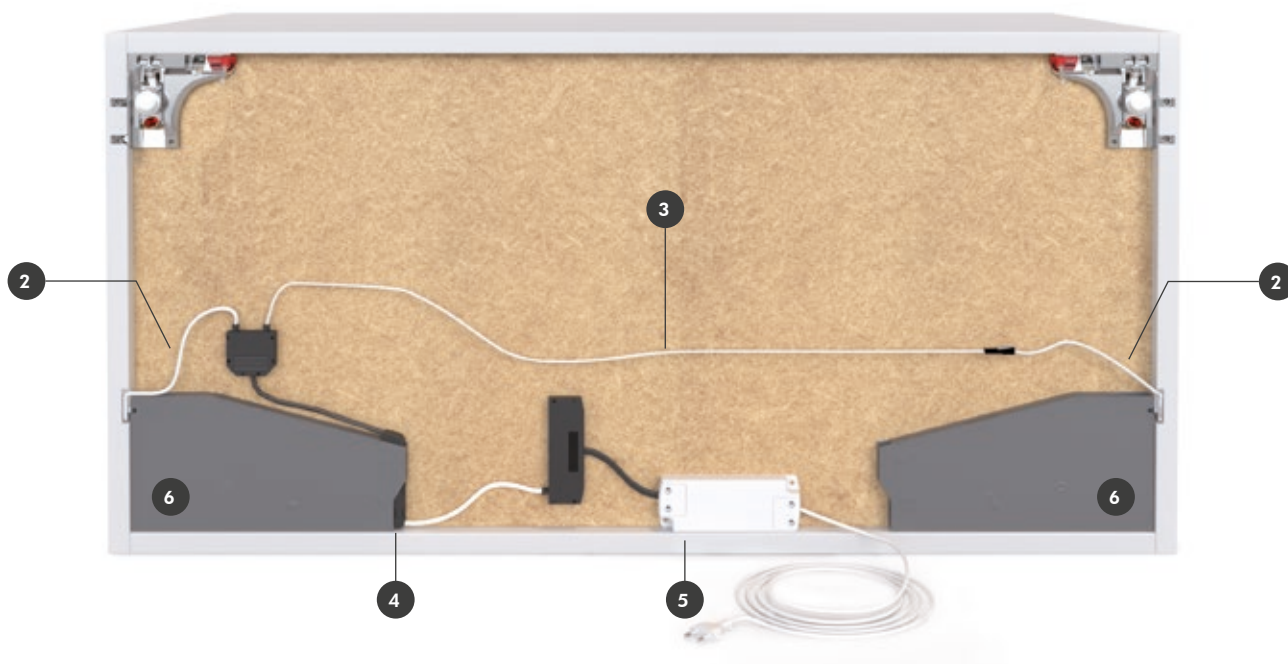
4 1 x CHARGER (pagina 6)

5 KIT MECHANISM KIARO or KIARO S (with door brackets) (page 8.70)



For the correct mechanism settings please refer to the dedicated section.

## COMPONENTS FOR APPLICATIONS WITH 2 KIARO LED



1 2 x KIARO LED ALUMINIUM PROFILE (pagina 5)  
1 x COVER CAPS SET (pagina 5)

2 2 X LED FLEXIBLE STRIP (pagina 6)

3 1 X EXTENSION CABLE (pagina 7)

4 1 X SENSOR FOR KIARO LED (pagina 5)

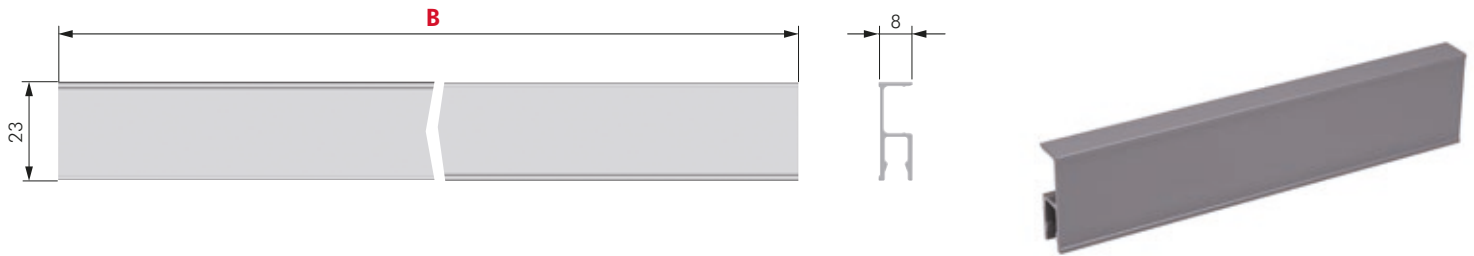
5 1 X CHARGER (pagina 6)

6 KIT MECHANISM KIARO or KIARO S (with door brackets) (page 8.70)

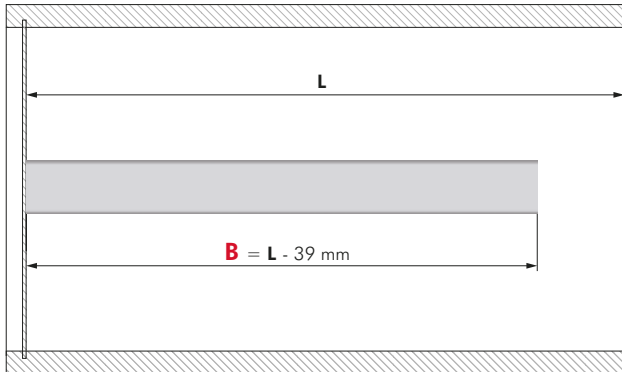


For the correct mechanism settings please refer to the dedicated section.

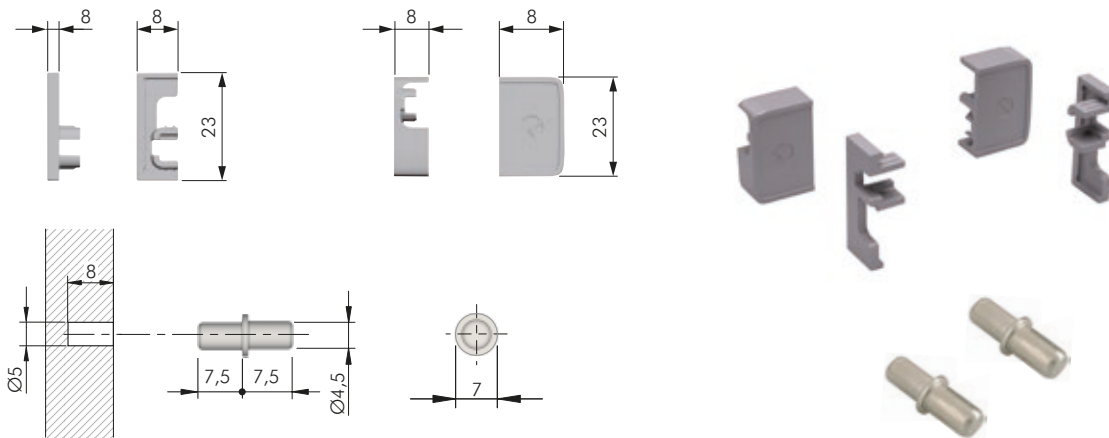
## KIARO LED ALUMINIUM PROFILE



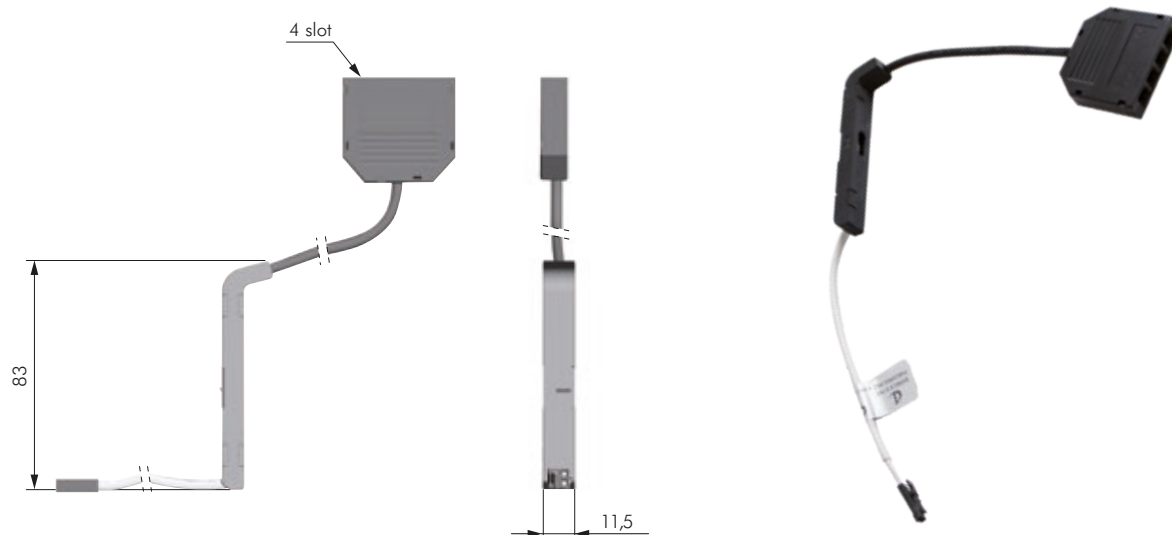
CUT TO SIZE RULE:



## COVER CAPS SET

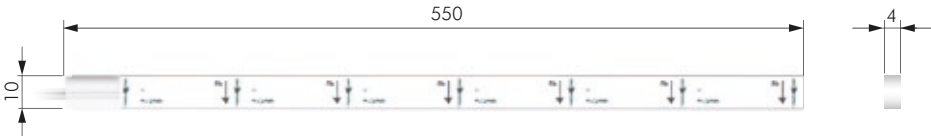


## SENSOR FOR KIARO LED



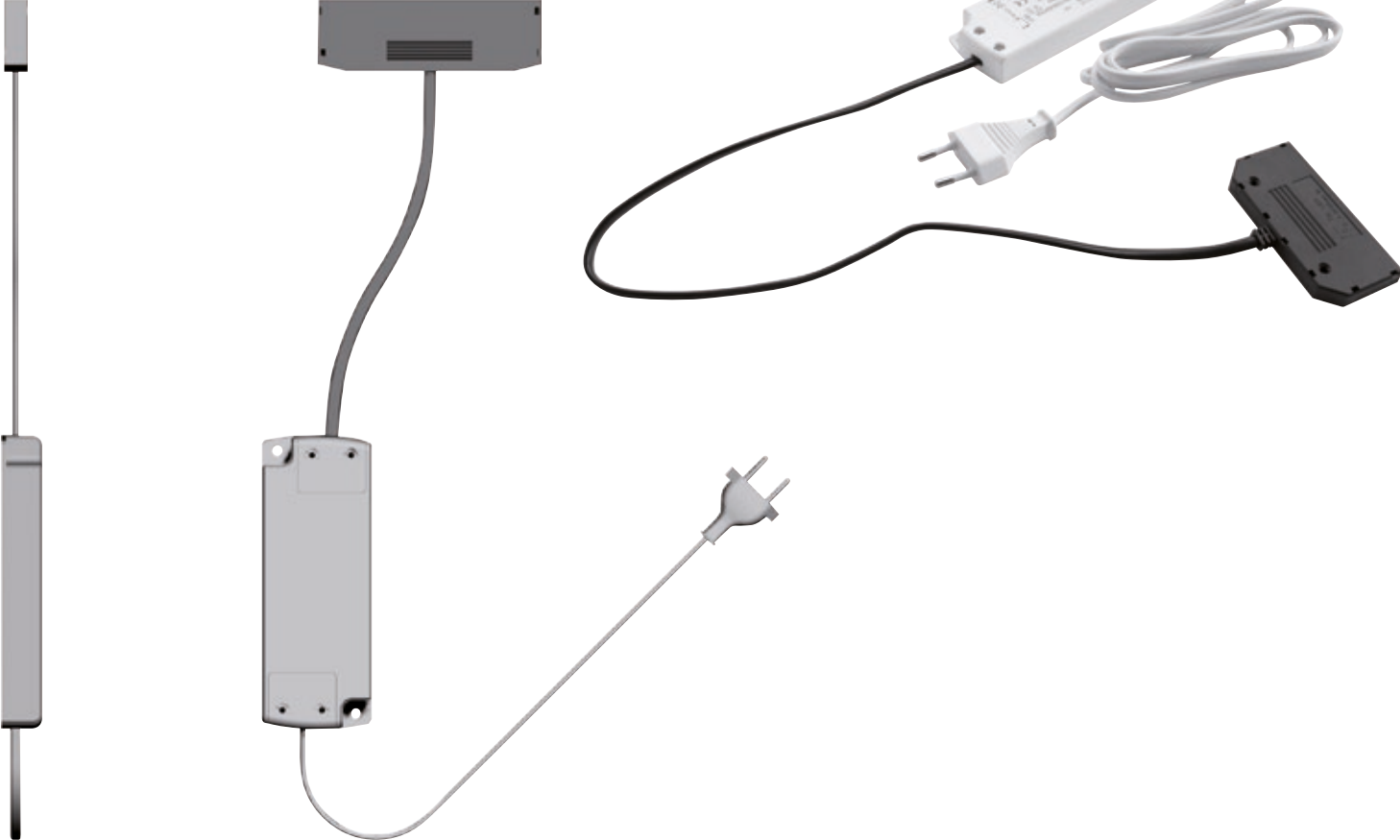
**LED FLEXIBLE STRIP**

---



**CHARGER**

---



The chargers images shown here are for illustrative purposes only.

## EXTENSION CABLE

---



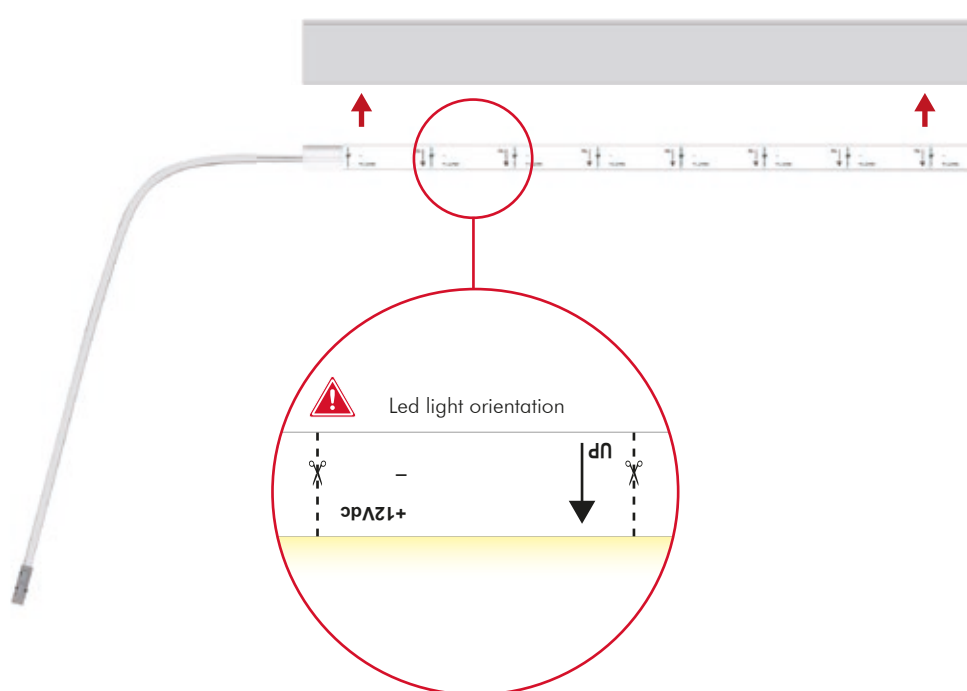
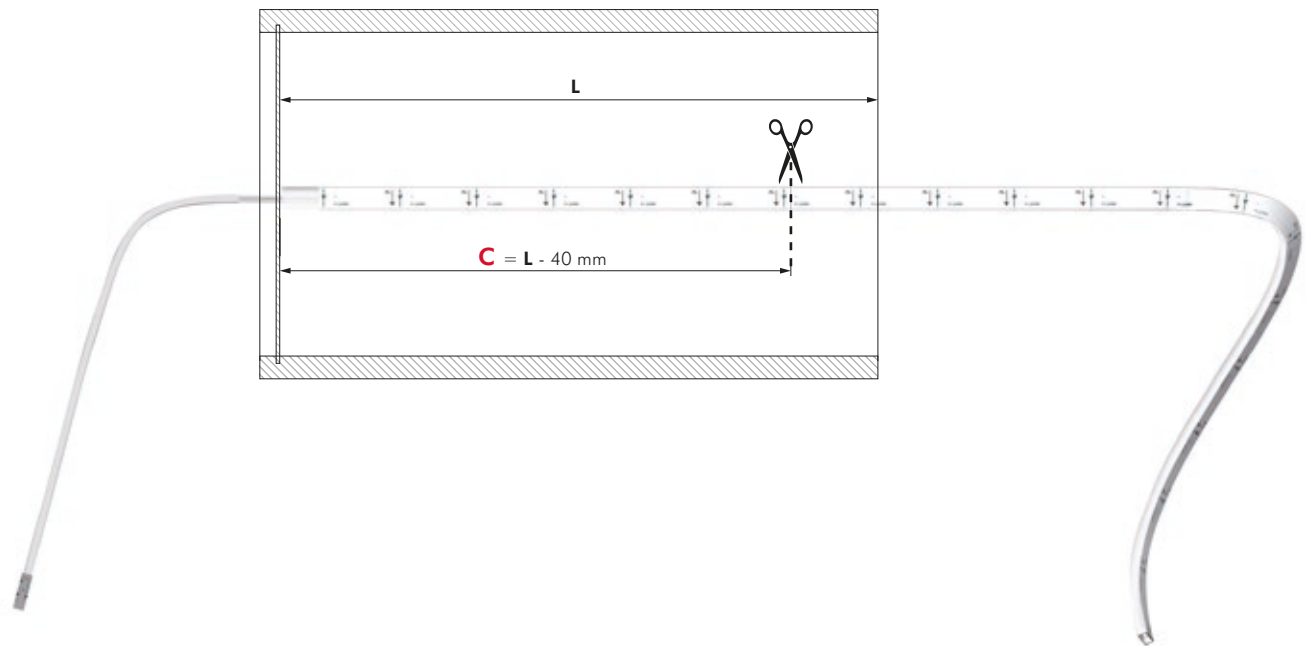
## CUSTOMER LIGHTING CONNECTORS

---

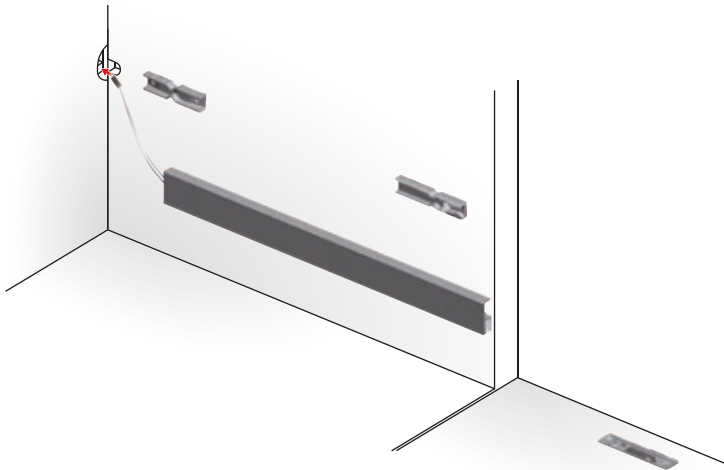


# KIARO LED INSTALLATION

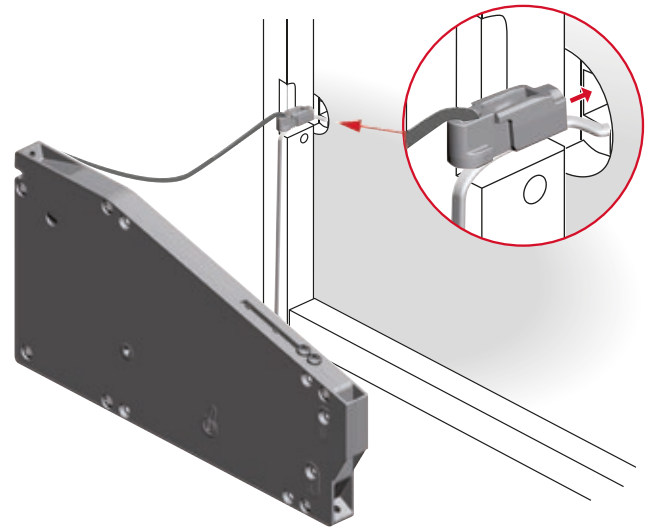
HOW TO CUT ON SIZE AND INSTALL THE LED FLEXIBLE STRIP.



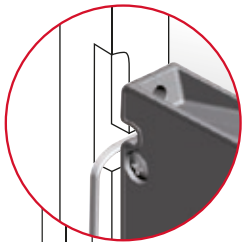
**LED STRIP ELECTRICAL WIRE INSERTION THROUGH THE BACKSIDE HOLE**



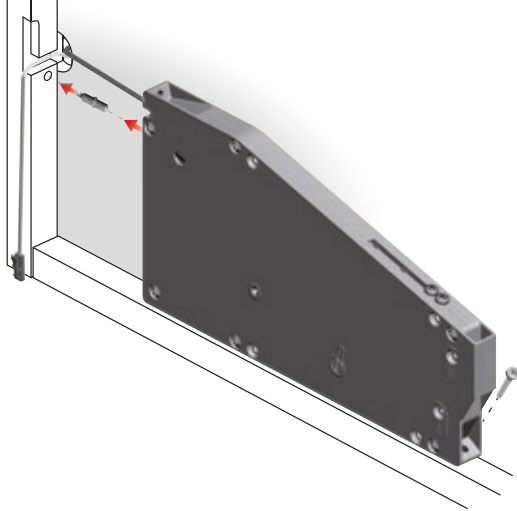
**MECHANISM INSTALLATION**



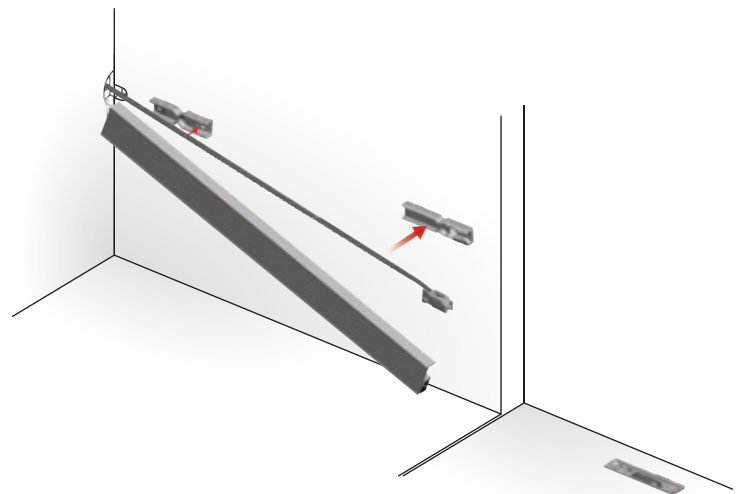
**MECHANISM FIXING**



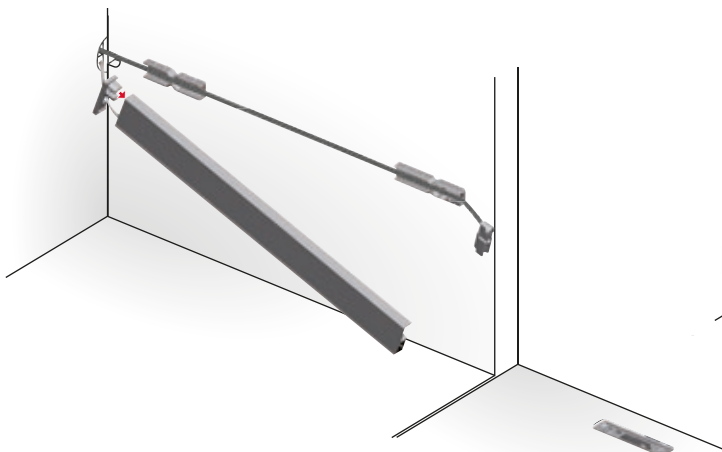
Pull the power cable of the led strip through the drilling spot on the cabinet side, before fixing the main mechanism.



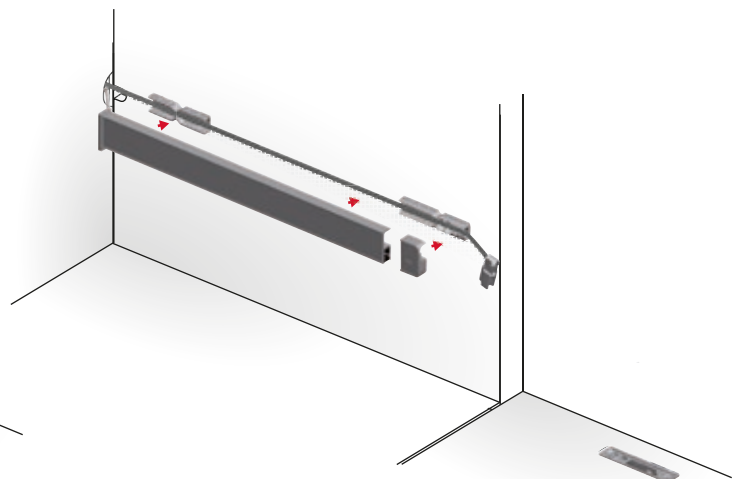
**WIRE INSTALLATION**



**INSERTION OF THE BACKSIDE COVER FOR ALU. PROFILE**

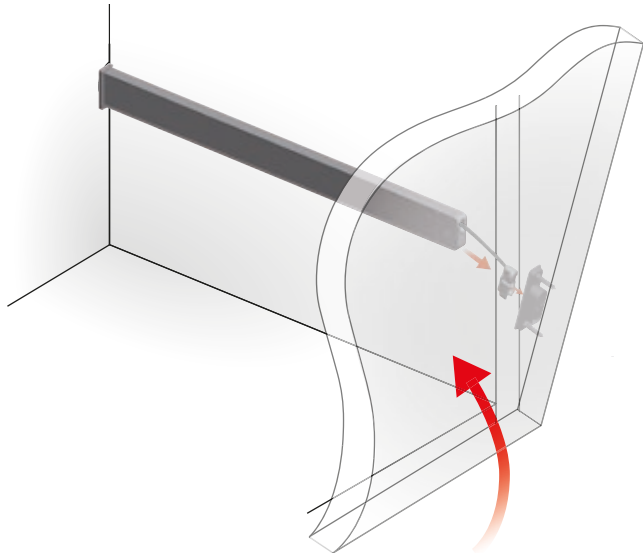


**COVER CAPS AND ALUMINIUM LATERAL PROFILE INSERTION**

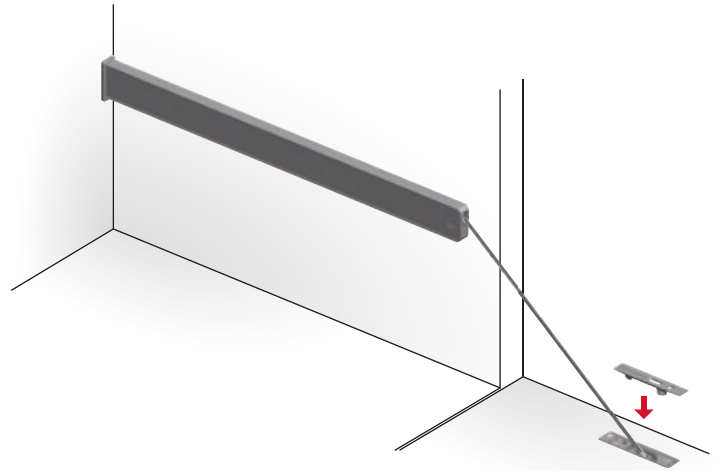




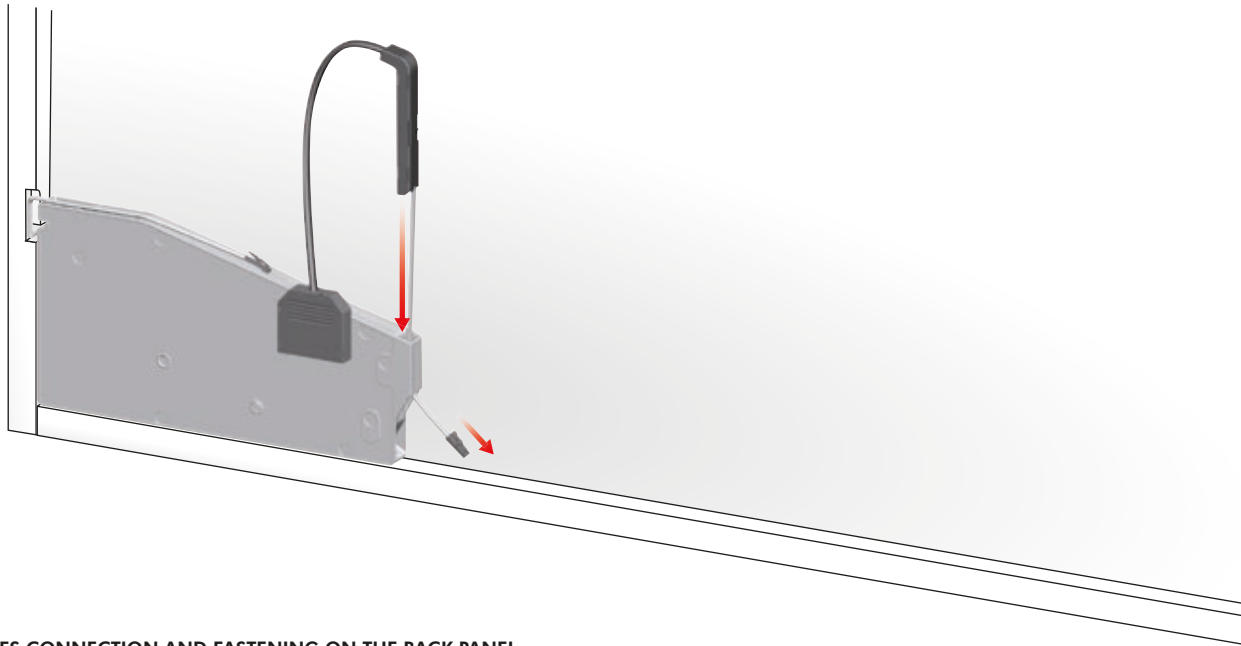
**WIRE INSERTION ONTO THE DOOR BRACKET**



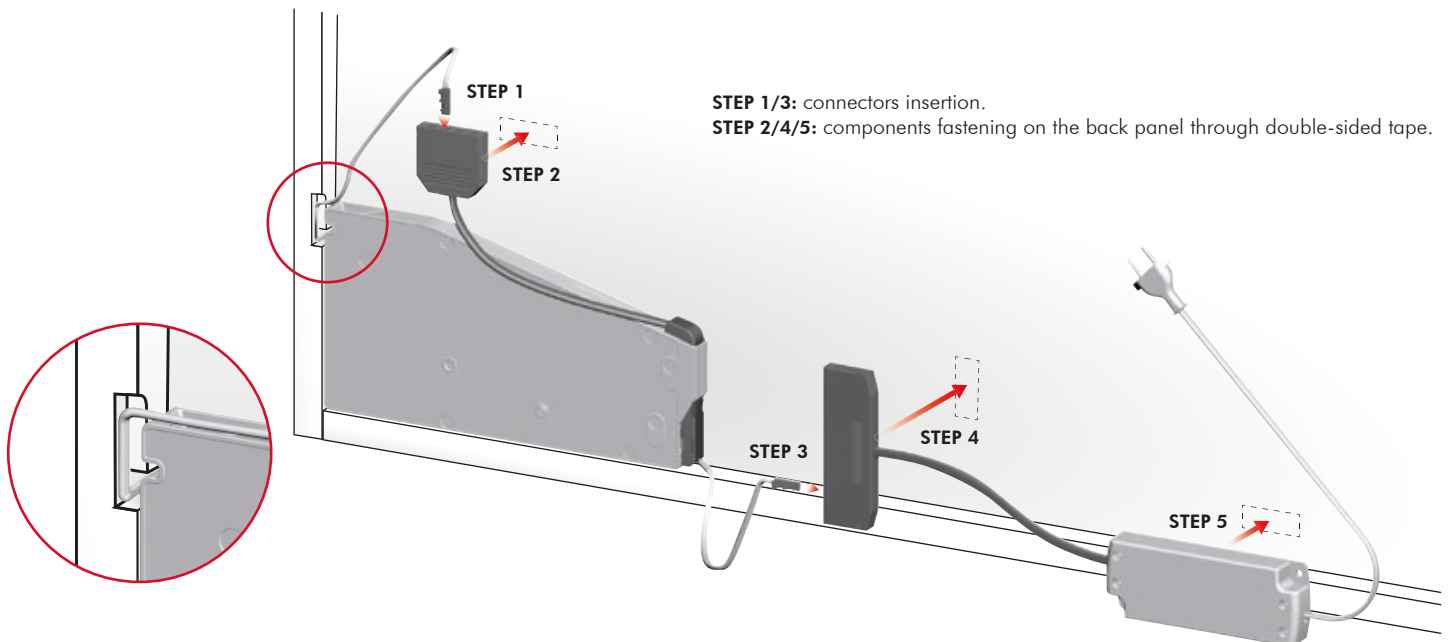
**COVER CAP FOR DOOR BRACKET INSERTION**



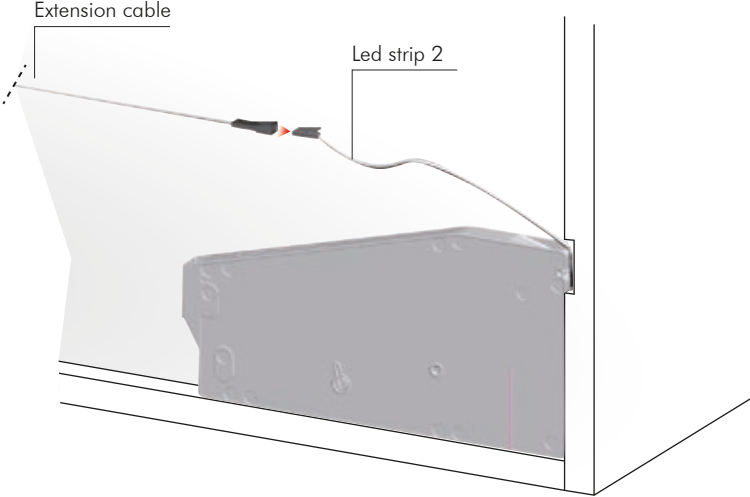
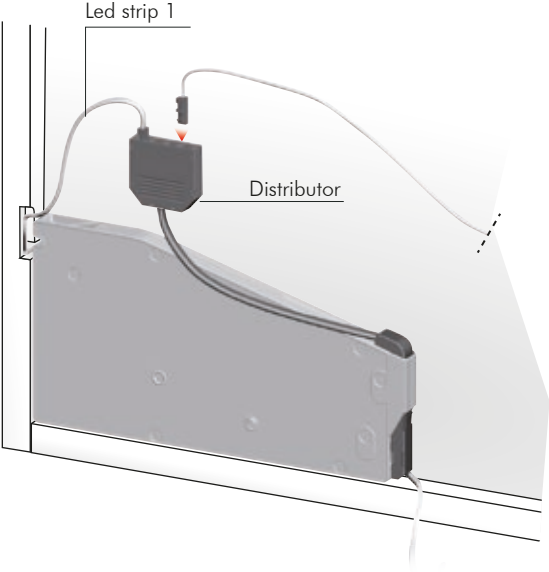
**SENSOR INSTALLATION**



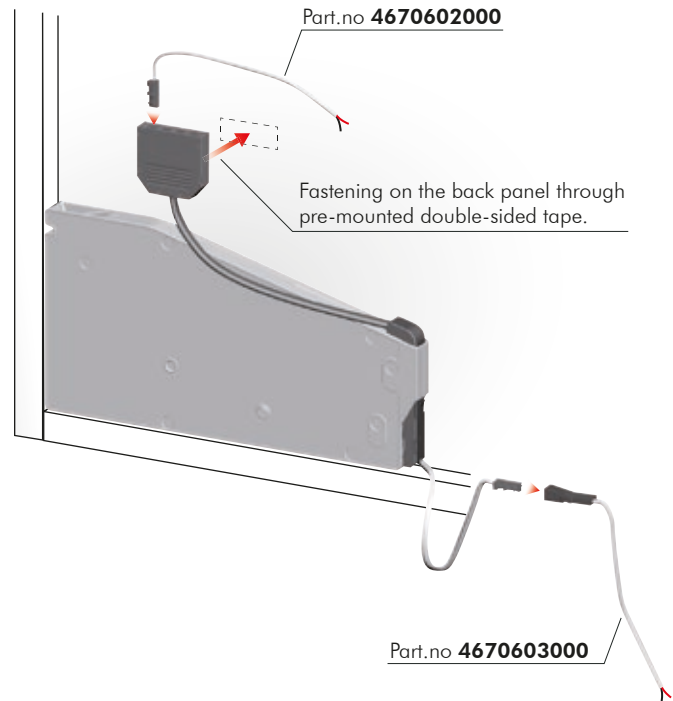
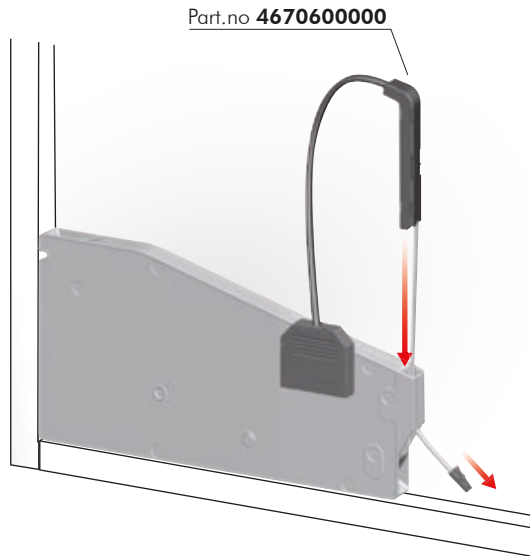
**DEVICES CONNECTION AND FASTENING ON THE BACK PANEL.**



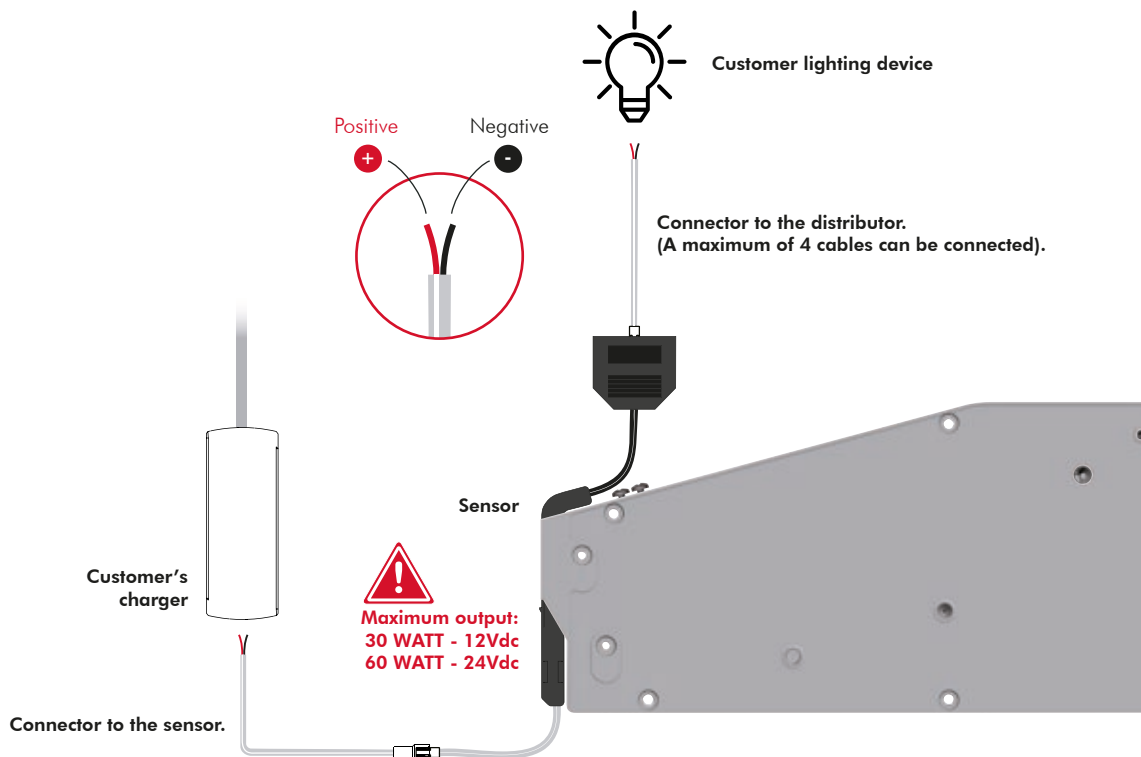
**EXTENSION CABLE CONNECTION WITH LED STRIP CONNECTORS**



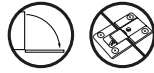
# KIARO WIRING DIAGRAM FOR CUSTOMER LIGHTING



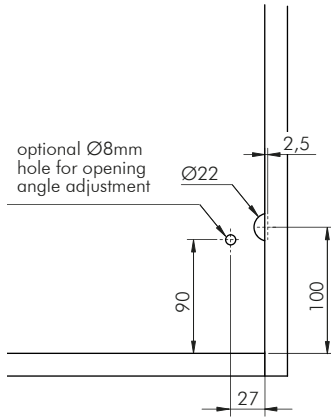
Each door must be connected to only one sensor, no matter how many mechanism are installed.



# KIARO LED WITH KIMANA HINGE

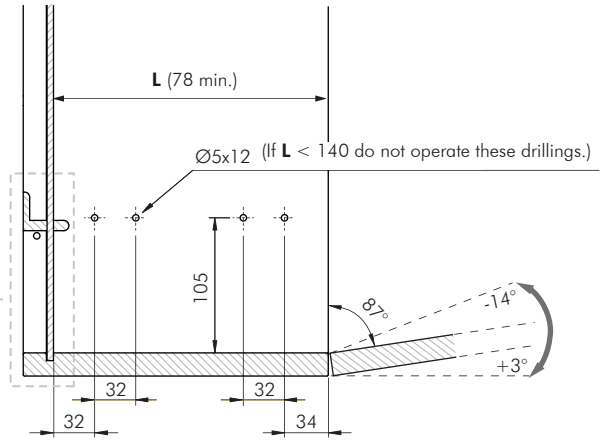
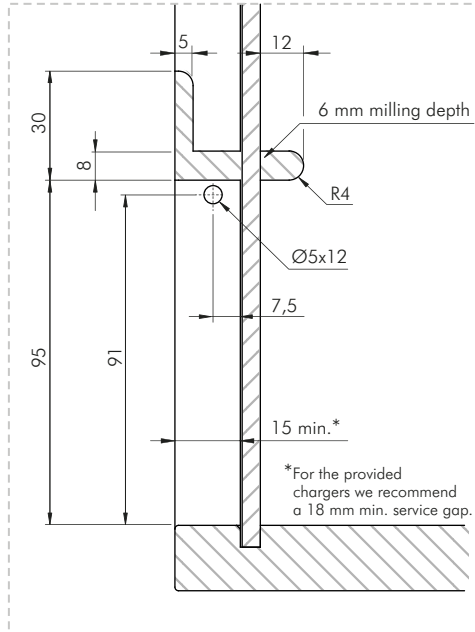


## BACK-PANEL DRILLING OPERATIONS



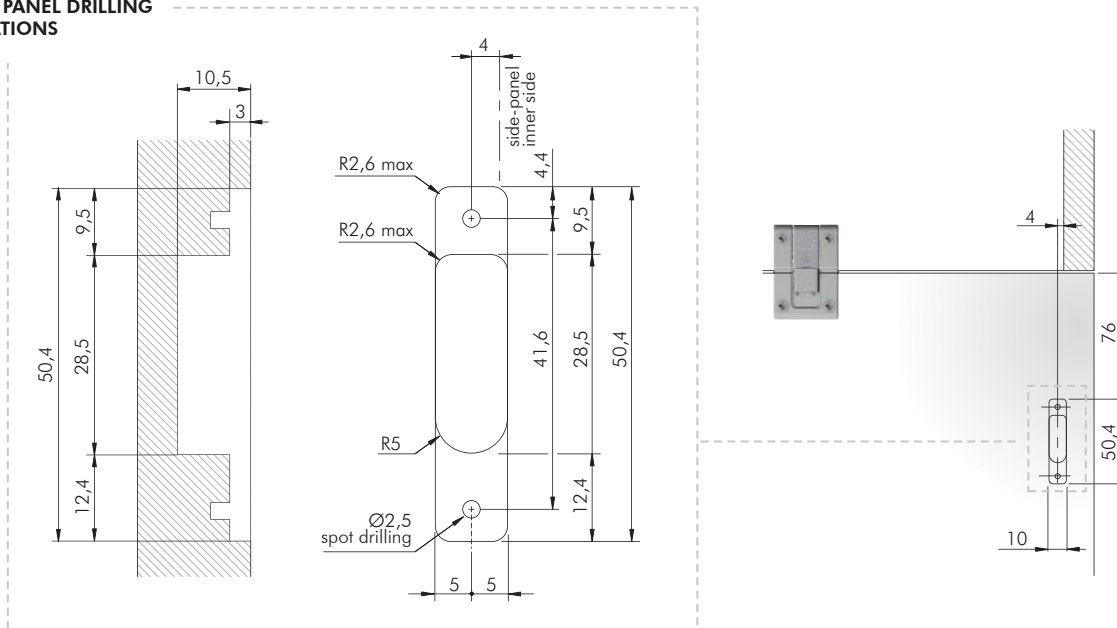
In case of door without handles it is recommended to use **K Push Tech with buffer**.

## SIDE-PANEL DRILLING OPERATIONS



**⚠** Overcrossing  $90^\circ$  door opening angle, negatively affects the Kimana hinges.

## DOOR PANEL DRILLING OPERATIONS



# KIARO LED WITH STANDARD UNSPRUNG HINGES



In case other hinges than KIMANA are used, it is necessary to contact an authorized dealer for a correct drilling scheme. For this purpose, use the form on the Italiana Ferramenta website (product KIARO) to provide the required specifications.