

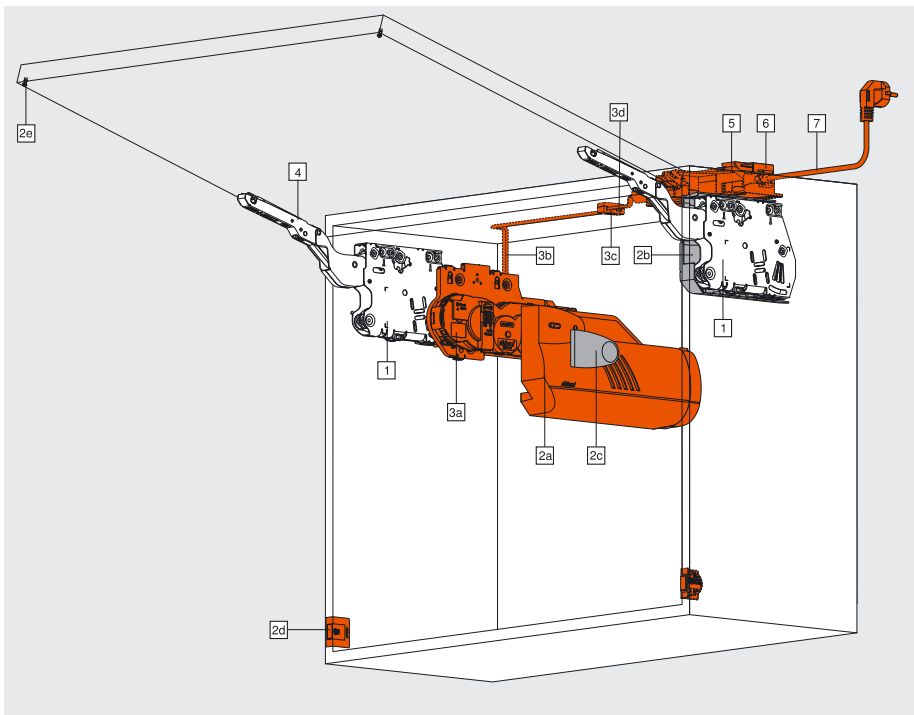


# SERVO-DRIVE for AVENTOS HK

Technical data sheet

# SERVO-DRIVE for AVENTOS HK

## Order specification



**4 variations of stay lift mechanisms are produced in order to cover a wide range of applications.**

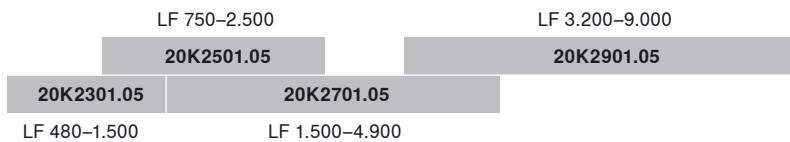
Using the power factor, you can calculate the required lift mechanisms. The power factor required depends on the weight of the front and the cabinet height.

The power factor and the door weight can be increased by 50% when a third lift mechanism is used.

- Standard
- SERVO-DRIVE



This is how it's done: **Power factor = cabinet height (KH) [mm] x door weight[kg]**



■ Lift mechanism two-sided

LF Power factor

A trial application is recommended when you are in a borderline area for the individual lift mechanism.

1	Symmetrical lift mechanism		
	Power factor LF	Opening angle	
	480-1.500	107°	2 x <b>20K2301.05</b>
	750-2.500	107°	2 x <b>20K2501.05</b>
	1.500-4.900	107°	2 x <b>20K2701.05</b>
	3.200-9.000	100°	2 x <b>20K2901.05</b>
Max. door weight 18 kg for two lift mechanisms			

2a	SERVO-DRIVE cover cap large left	
	Nylon light grey / silk white / nickel plated	
	Left	<b>21K8001</b>
2b	Cover plate right	
	Nylon light grey / silk white / nickel plated	
	Right	<b>20K8001</b>

### Note

We recommend an additional mechanism is a centre panel for wide cabinets. The additional support will help to avoid flexing of the front when open.


# SERVO-DRIVE for AVENTOS HK


## Order specification




2c	Cover cap small		
	Nylon deep grey / nickel plated		
	Plain	2 x	20K9001
	Printed with the BLUM Logo	2 x	20K9001.BL
	can be printed with customer logo - minimums from 1.000 pcs		

2d	SERVO-DRIVE switch		
	Nylon light grey / silk white / nickel plated		
	incl. battery (type CR2032)	2 x	21P5020


2e	Blum distance bumper		
	RAL 7037 dust grey		
	Ø 5 mm	4x	993.0530
	Ø 8 mm	4x	993.0830.01

3a	SERVO-DRIVE drive unit		
	RAL 7037 dust grey		
	with adapter plate		21KA001

3b, 3c, 3d, 5, 6, 7,	Distribution cable, connecting node, cable end protector, Blum transformer, flex and transformer unit housing		
	See page		6

4	Symmetrical front fixing brackets		
	Nickel plated		
	Wooden fronts and wide alu frames <sup>1)</sup>	2 x	20S4201
	Narrow alu frames	2 x	20S4201A

<sup>1)</sup>Use chipboard screws (609.1x00) for wooden fronts.  
Use self tapping screws (608.085) for wide alu frames.

	Opening angle stop		
	Nylon		
	100°	2 x	20K7041
	75°	2 x	20K7011

	Bit PZ cross slot		
	Size 2, length 39 mm		BIT-PZ KS2

### Instruction leaflet and installation instructions

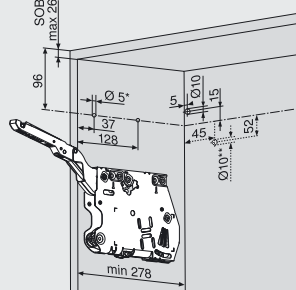
Including documentation for the Machine Directive		
MA-400	German	MA-021/01DE
MA-400	English	MA-021/01EN
MA-400	French	MA-021/01FR
MA-400	Italian	MA-021/01IT
MA-400	Spanish	MA-021/01ES
MA-400	Bulgarian	MA-021/01BG
MA-400	Chinese	MA-021/01ZH
MA-400	Danish	MA-021/01DA
MA-400	Estonian	MA-021/01ET
MA-400	Finnish	MA-021/01FI
MA-400	Greek	MA-021/01EL
MA-400	Japanese	MA-021/01JA
MA-400	Croatian	MA-021/01HR
MA-400	Latvian	MA-021/01LV
MA-400	Lithuanian	MA-021/01LT
MA-400	Dutch	MA-021/01NL
MA-400	Norwegian	MA-021/01NO
MA-400	Polish	MA-021/01PL
MA-400	Portuguese	MA-021/01PT
MA-400	Romanian	MA-021/01RO
MA-400	Russian	MA-021/01RU
MA-400	Swedish	MA-021/01SV
MA-400	Serbian	MA-021/01SR
MA-400	Slovakian	MA-021/01SK
MA-400	Slovenian	MA-021/01SL
MA-400	Czech	MA-021/01CS
MA-400	Turkish	MA-021/01TR
MA-400	Hungarian	MA-021/01HU

# SERVO-DRIVE for AVENTOS HK

## Planning



### Drilling position for lift mechanism and distribution cable<sup>1)</sup>



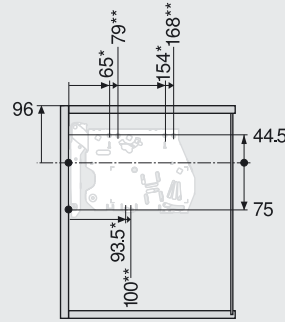
<sup>1)</sup> Only on the left side

\* Drilling depth 5 mm

\*\* Alternative drilling

SOB Top panel thickness

### Fixing positions for lift mechanism

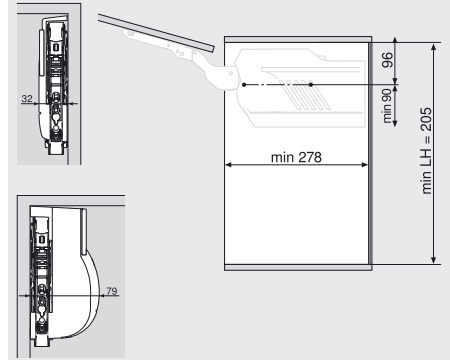


\* Left

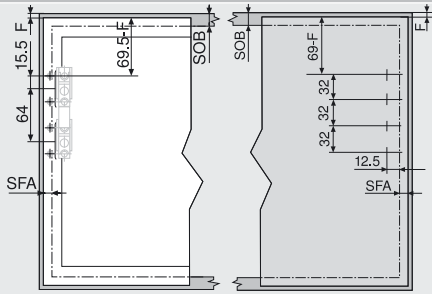
\*\* Right

3 x Ø 4 x 35 mm

### Space requirement



### Front assembly



Narrow alu frames

Wooden fronts and wide alu frames<sup>1)</sup>

Wall application:  
Requires minimum gap 5 mm

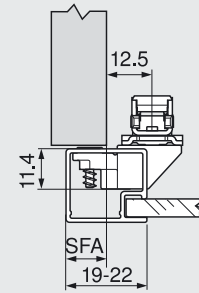
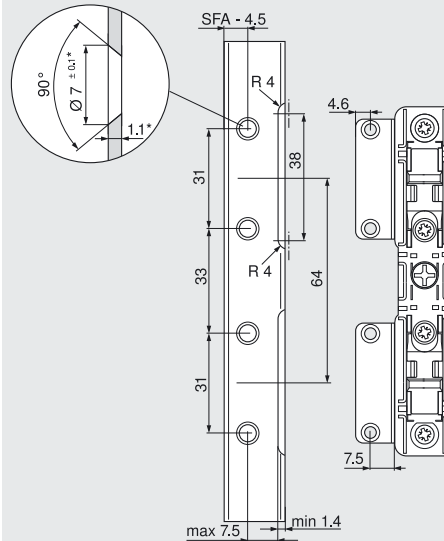
4 x Ø 3,5 x 15 mm

SOB Top panel thickness

F Gap

SFA Side front overlay

### Planning narrow alu frames

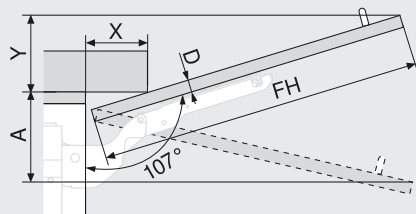


SFA Side front overlay

For frame width 19 mm, a SFA of 11–18 mm is possible

\* When changing material thickness, adjust the assembly dimensions accordingly

### Cornice and crown moulding clearance



D (mm) 16 19 22 26 28

X (mm) 70 59 49 35 26

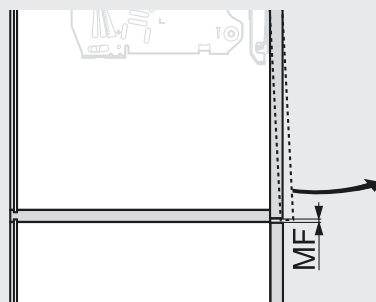
Without OEB  $Y = FH \times 0.29 - 15 + D$

OEB 100°  $Y = FH \times 0.17 - 15 + D$

OEB 75°  $A = FH \times 0.26 + 15 - D$

OEB = Opening angle stop

### Min. gap



MF Minimum gap for opening (2 mm)

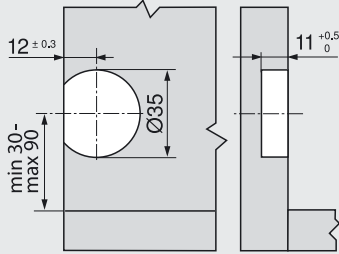
<sup>1)</sup> Use 4 chipboard screws (609.1x00) for wooden fronts. Use 4 self tapping screws (608.085) for wide alu frames.

# SERVO-DRIVE for AVENTOS HK

## Planning



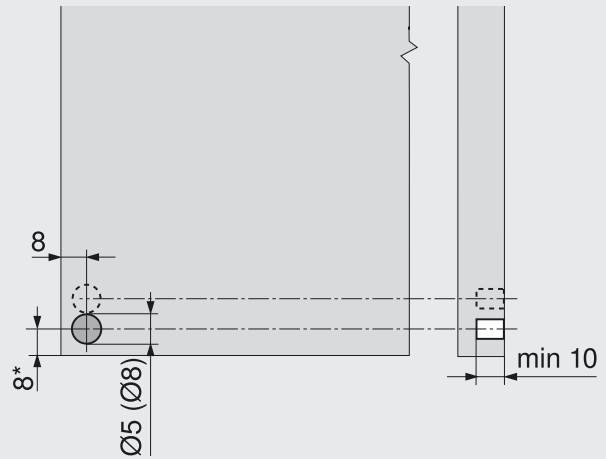
### SERVO-DRIVE switch



### Blum distance bumper



### Blum distance bumper drilling position



\* From cabinet front edge for fronts that protrude below

For specific applications (low fronts or high weight) several bumpers are necessary.

Bumper must be installed near switch.  
A trial application is recommended!

Recommendation for aluminium frames:

Take into account the drilling for the Blum distance bumper in the cabinet side.  
A trial application must be carried out when fixing the Blum distance bumper to the front.

**i** Do not glue Blum distance bumper.

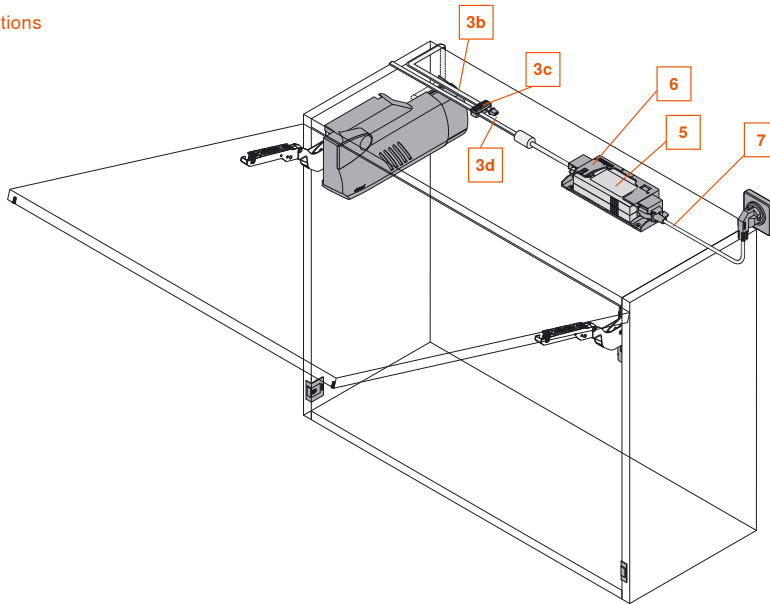
# SERVO-DRIVE for AVENTOS HK

## Order specification



### Blum transformer and accessories

For all applications



3b	Distribution cable for cutting to size		
	1 x 100 m		Z10K1HMA
	1/10 x 6 m		Z10K600A
	1/10 x 8 m		Z10K800AE
Can be used as a distribution cable			

3c	Connecting node		
	Black		
		50 pce.	Z10V1000

3d	Cable end protector		
	RAL 7037 dust grey		
		100 pce.	Z10K0008

5	Blum transformer		
	100 W	10 pce.	Z10NE050.01
	Only 1 Blum transformer permitted per distribution cable		

6	Transformer unit housing for panel fixing		
	RAL 7037 dust grey		
		10 pce.	Z10NG100

7	Flex		
	Flex Europe	10 pce.	Z10M200E
	Flex CH	10 pce.	Z10M200C
	Flex US, CA	10 pce.	Z10M200U
	Flex JP	10 pce.	Z10M200J
	Flex BR	10 pce.	Z10M200S
	Flex BR	10 pce.	Z10M200S.01
	Flex UK	10 pce.	Z10M200B
	Flex DK	10 pce.	Z10M200D
	Flex IL	10 pce.	Z10M200I
	Flex AU	10 pce.	Z10M200K
	Flex CN	10 pce.	Z10M200N
	Flex AR	10 pce.	Z10M200A
	Flex IN	10 pce.	Z10M200H
	Flex CL	10 pce.	Z10M200L
	Flex TW	10 pce.	Z10M200T
	Flex ZA	10 pce.	Z10M200Z
	Flex Europe without plug	10 pce.	Z10M200E.OS
Flex US, CA without plug	10 pce.	Z10M200U.OS	

Cable holder			
	White		
		100 pce.	Z10K0009