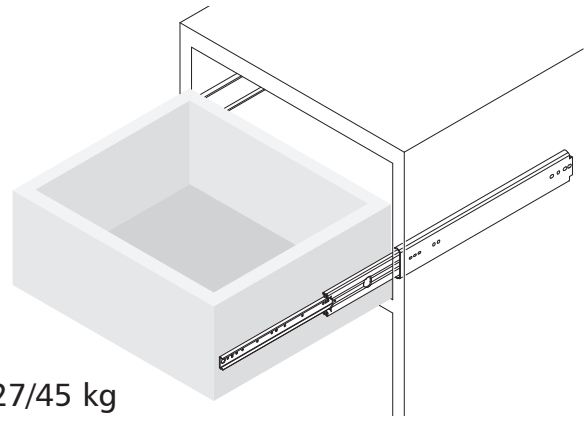


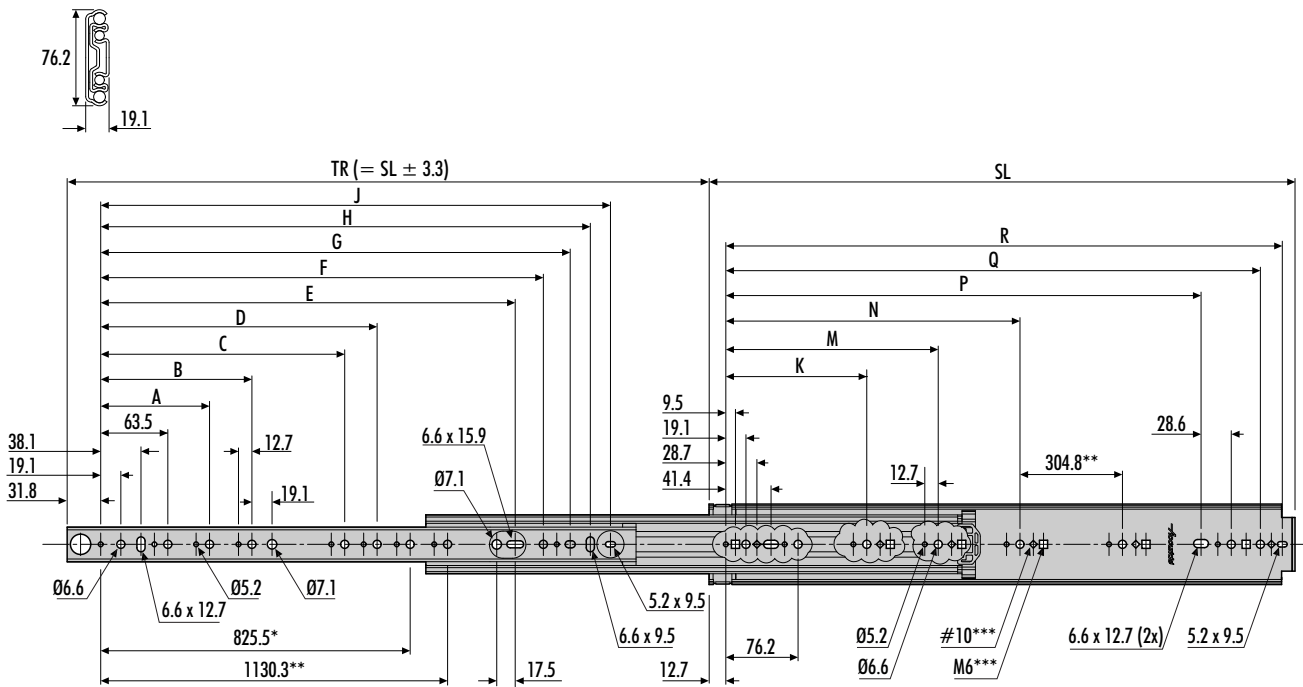
# 9301/9308



- GB** Installation Guide
- D** Einbauanleitung
- F** Guide d'installation
- I** Guida all'installazione
- E** Guía de instalación
- PL** Instrukcja montażu



227/45 kg



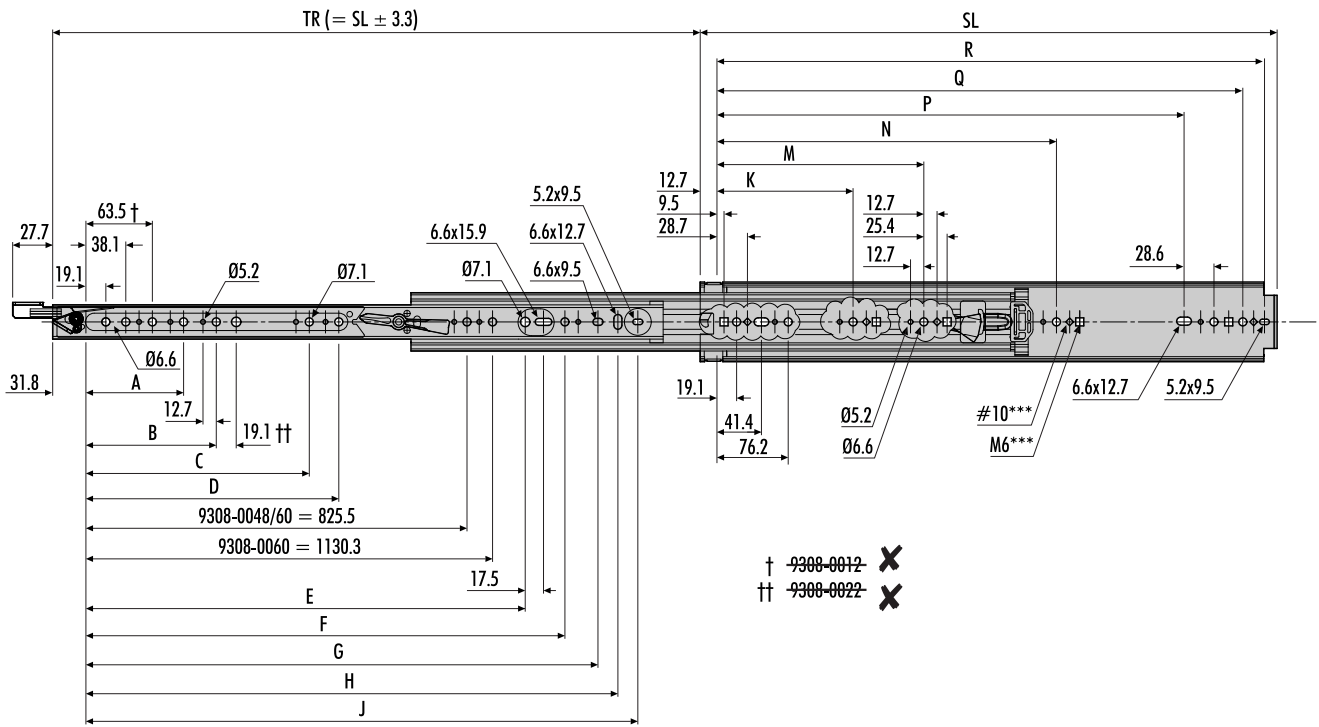
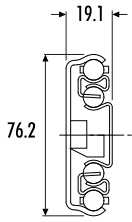
\* 9301-0048, 9301-0054, 9301-0060

\*\* 9301-60

## 9301

| 9301        | mm     |        |       |       |       |       |        |        |        |        |        |       |       |       |        |        |        |
|-------------|--------|--------|-------|-------|-------|-------|--------|--------|--------|--------|--------|-------|-------|-------|--------|--------|--------|
|             | SL     | TR     | A     | B     | C     | D     | E      | F      | G      | H      | J      | K     | M     | N     | P      | Q      | R      |
| DZ9301-0010 | 254.0  | 254.0  | -     | -     | -     | -     | -      | 103.1  | 128.5  | 147.6  | 166.6  | -     | -     | -     | 152.4  | 209.6  | 228.6  |
| DZ9301-0012 | 304.8  | 304.8  | -     | -     | -     | -     | -      | 153.9  | 179.3  | 198.4  | 217.4  | -     | -     | -     | 203.2  | 260.4  | 279.4  |
| DZ9301-0014 | 355.6  | 355.6  | -     | -     | -     | -     | -      | 204.7  | 230.1  | 249.2  | 268.2  | -     | -     | -     | 254.0  | 311.2  | 330.2  |
| DZ9301-0016 | 406.4  | 406.4  | 127.0 | -     | -     | -     | -      | 255.5  | 280.9  | 299.9  | 319.0  | -     | -     | -     | 304.8  | 361.9  | 381.0  |
| DZ9301-0018 | 457.2  | 457.2  | 127.0 | -     | -     | -     | 246.1  | 306.3  | 331.7  | 350.8  | 369.8  | -     | -     | -     | 355.6  | 412.8  | 431.8  |
| DZ9301-0020 | 508.0  | 508.0  | 127.0 | 190.5 | -     | -     | 296.9  | 357.1  | 382.5  | 401.6  | 420.6  | -     | -     | -     | 406.4  | 463.6  | 482.6  |
| DZ9301-0022 | 558.8  | 558.8  | 127.0 | 190.5 | -     | -     | 347.7  | 407.9  | 433.3  | 452.4  | 471.4  | -     | -     | -     | 457.2  | 514.4  | 533.4  |
| DZ9301-0024 | 609.6  | 609.6  | 127.0 | 190.5 | -     | -     | 398.5  | 458.7  | 484.1  | 503.2  | 522.2  | -     | -     | -     | 508.0  | 565.2  | 584.2  |
| DZ9301-0026 | 660.4  | 660.4  | 127.0 | 190.5 | -     | -     | 449.3  | 509.5  | 534.9  | 553.9  | 573.0  | -     | -     | -     | 558.8  | 615.9  | 635.0  |
| DZ9301-0028 | 711.2  | 711.2  | 127.0 | 190.5 | -     | -     | 500.1  | 560.3  | 585.7  | 604.8  | 623.8  | -     | -     | -     | 609.6  | 666.8  | 685.8  |
| DZ9301-0030 | 762.0  | 762.0  | 127.0 | 190.5 | 368.3 | -     | 550.9  | 611.1  | 636.5  | 655.6  | 674.6  | 234.9 | -     | 501.6 | 660.4  | 717.6  | 736.6  |
| DZ9301-0032 | 812.8  | 812.8  | 127.0 | 190.5 | 368.3 | -     | 601.7  | 661.9  | 687.3  | 706.4  | 725.4  | 234.9 | 393.7 | 552.5 | 711.2  | 768.4  | 787.4  |
| DZ9301-0034 | 863.6  | 863.6  | 127.0 | 190.5 | 368.3 | 469.9 | 652.5  | 712.7  | 738.1  | 757.2  | 776.2  | 234.9 | 419.1 | 603.3 | 762.0  | 819.2  | 838.2  |
| DZ9301-0036 | 914.4  | 914.4  | 127.0 | 190.5 | 368.3 | 520.7 | 703.3  | 763.5  | 788.9  | 807.9  | 827.0  | 234.9 | 444.5 | 654.1 | 812.8  | 870.0  | 889.0  |
| DZ9301-0040 | 1016.0 | 1016.0 | 127.0 | 190.5 | 368.3 | 520.7 | 804.9  | 865.1  | 890.5  | 909.6  | 928.6  | 235.0 | 546.1 | 755.7 | 914.4  | 971.6  | 990.6  |
| DZ9301-0042 | 1066.8 | 1066.8 | 127.0 | 190.5 | 368.3 | 520.7 | 855.7  | 915.9  | 941.3  | 960.4  | 979.4  | 235.0 | 546.1 | 806.5 | 965.2  | 1022.4 | 1041.4 |
| DZ9301-0044 | 1117.6 | 1117.6 | 127.0 | 190.5 | 368.3 | 520.7 | 906.5  | 966.7  | 992.1  | 1011.2 | 1030.2 | 235.0 | 546.1 | 857.3 | 1016.0 | 1073.2 | 1092.2 |
| DZ9301-0048 | 1219.2 | 1219.2 | 127.0 | 190.5 | 368.3 | 520.7 | 1008.1 | 1068.3 | 1093.7 | 1112.8 | 1131.8 | 234.9 | 596.9 | 958.9 | 1117.6 | 1174.8 | 1193.8 |
| DZ9301-0054 | 1371.6 | 1371.6 | 127.0 | 190.5 | 368.3 | 520.7 | 1160.5 | 1220.8 | 1246.2 | 1265.2 | 1284.2 | 235.0 | 596.6 | 958.9 | 1270.0 | 1327.2 | 1346.2 |
| DZ9301-0060 | 1524.0 | 1524.0 | 127.0 | 190.5 | 368.3 | 520.7 | 1312.9 | 1373.1 | 1398.5 | 1417.6 | 1436.6 | 234.9 | 596.9 | 958.9 | 1422.4 | 1479.6 | 1498.6 |

# 9301/9308 227 kg



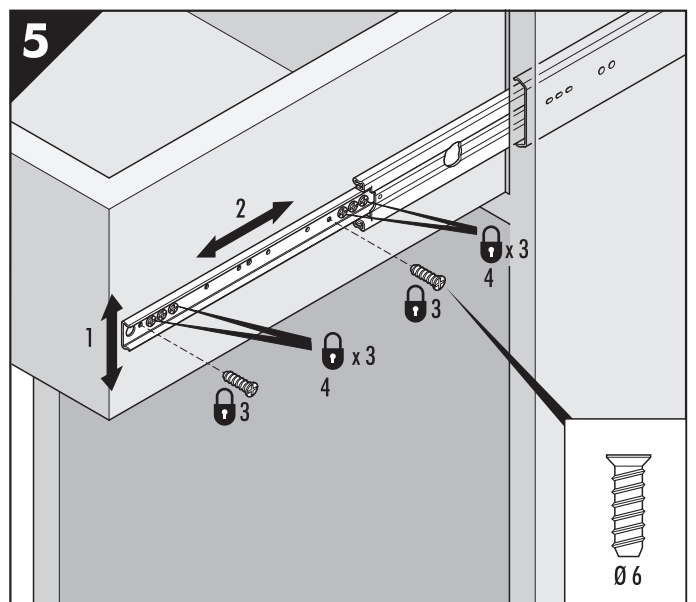
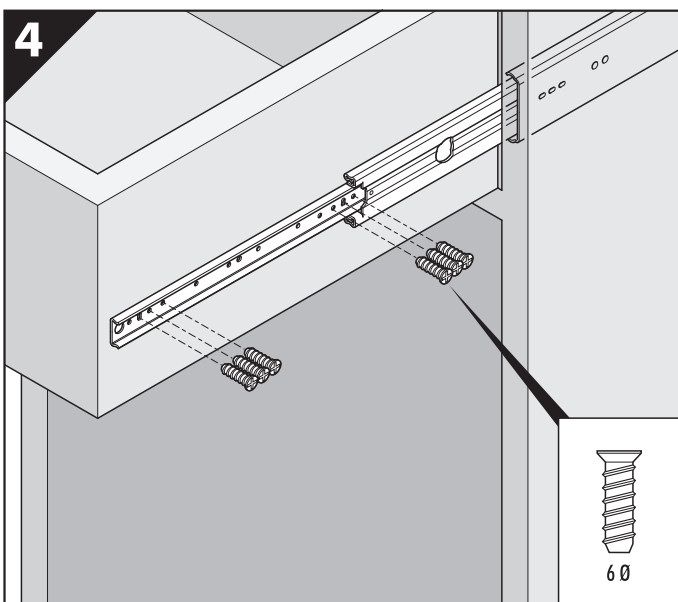
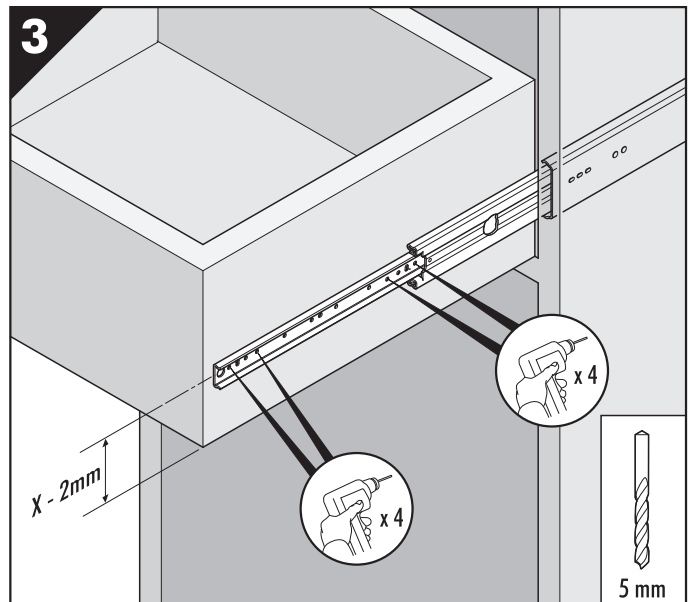
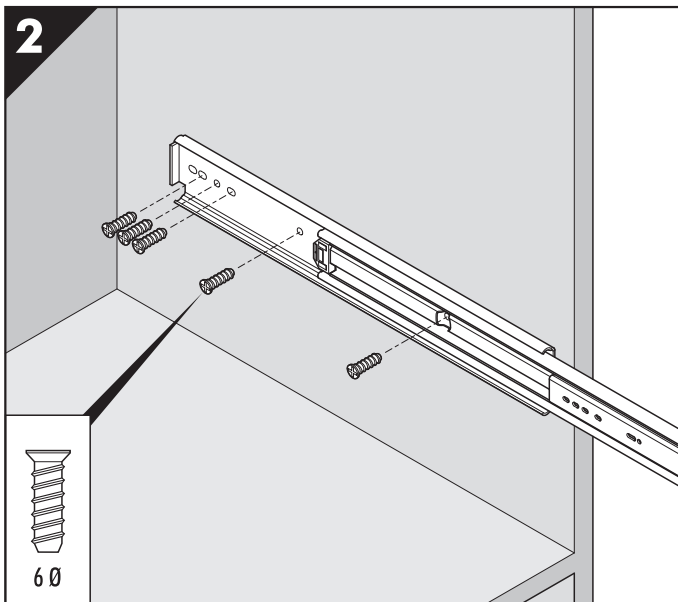
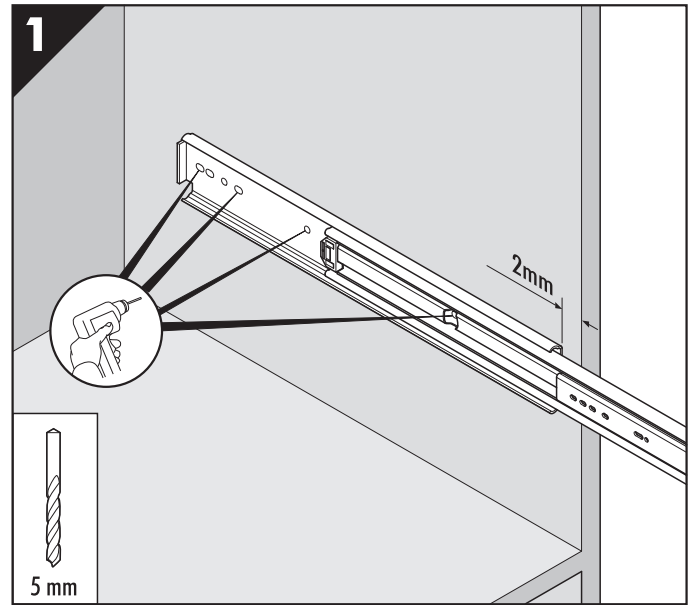
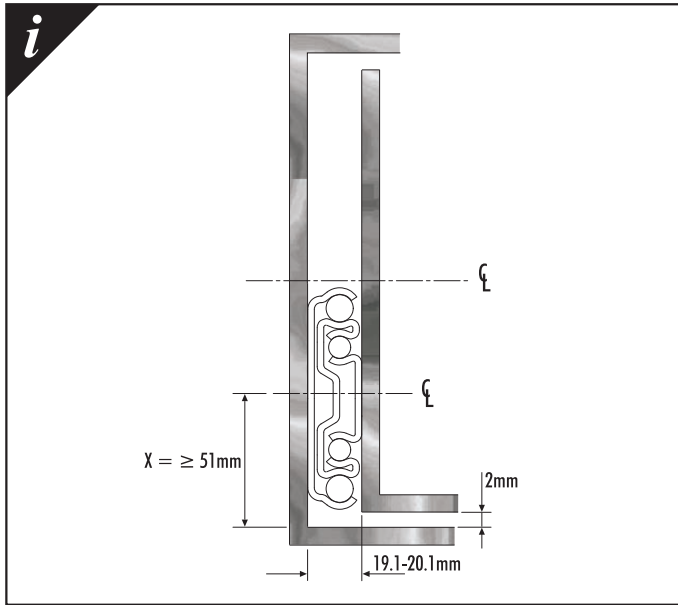
† 9308-0012 X  
 †† 9308-0022 X

## 9308

| 9308         | mm     |        |       |       |       |       |        |        |        |        |   |       |       |       |        |        |        |
|--------------|--------|--------|-------|-------|-------|-------|--------|--------|--------|--------|---|-------|-------|-------|--------|--------|--------|
|              | SL     | TR     | A     | B     | C     | D     | E      | F      | G      | H      | J | K     | M     | N     | P      | Q      | R      |
| DZ9308-0012* | 304.8  | 304.8  | -     | -     | -     | -     | -      | 153.9  | 179.3  | 198.4  | - | -     | -     | -     | 203.2  | 260.4  | 279.4  |
| DZ9308-0014* | 355.6  | 355.6  | -     | -     | -     | -     | -      | 204.7  | 230.1  | 249.2  | - | -     | -     | -     | 254.0  | 311.2  | 330.2  |
| DZ9308-0016* | 406.4  | 406.4  | -     | -     | -     | -     | -      | 255.5  | 280.9  | 300.0  | - | -     | -     | -     | 304.8  | 362.0  | 381.0  |
| DZ9308-0018* | 457.2  | 457.2  | 127.0 | -     | -     | -     | -      | 306.3  | 331.7  | 350.8  | - | -     | -     | -     | 355.6  | 412.8  | 431.8  |
| DZ9308-0020* | 508.0  | 508.0  | 127.0 | -     | -     | -     | 296.9  | 357.1  | 382.5  | 401.6  | - | -     | -     | -     | 406.4  | 463.6  | 482.6  |
| DZ9308-0022* | 558.8  | 558.8  | 127.0 | 190.5 | -     | -     | 347.7  | 407.9  | 433.3  | 452.4  | - | -     | -     | -     | 457.2  | 514.4  | 533.4  |
| DZ9308-0024* | 609.6  | 609.6  | 127.0 | 190.5 | -     | -     | 398.5  | 458.7  | 484.1  | 503.2  | - | -     | -     | -     | 508.0  | 565.2  | 584.2  |
| DZ9308-0026* | 660.4  | 660.4  | 127.0 | 190.5 | -     | -     | 449.3  | 509.5  | 534.9  | 554.0  | - | -     | -     | -     | 558.8  | 616.0  | 635.0  |
| DZ9308-0028* | 711.2  | 711.2  | 127.0 | 190.5 | -     | -     | 500.1  | 560.3  | 585.7  | 604.8  | - | -     | -     | -     | 609.6  | 666.8  | 685.8  |
| DZ9308-0030* | 762.0  | 762.0  | 127.0 | 190.5 | -     | -     | 550.9  | 611.1  | 636.5  | 655.6  | - | 235.0 | -     | 501.7 | 660.4  | 717.6  | 736.6  |
| DZ9308-0032* | 812.8  | 812.8  | 127.0 | 190.5 | -     | -     | 601.7  | 661.9  | 687.3  | 706.4  | - | 235.0 | -     | 552.5 | 711.2  | 768.4  | 787.4  |
| DZ9308-0034* | 863.6  | 863.6  | 127.0 | 190.5 | -     | 520.7 | 652.5  | 712.7  | 738.1  | 757.1  | - | 235.0 | -     | 603.2 | 762.0  | 819.1  | 838.2  |
| DZ9308-0036* | 914.4  | 914.4  | 127.0 | 190.5 | 368.3 | 520.7 | 703.3  | 763.5  | 788.9  | 807.9  | - | 235.0 | -     | 654.1 | 812.8  | 869.9  | 889.0  |
| DZ9308-0040* | 1016.0 | 1016.0 | 127.0 | 190.5 | 368.3 | -     | 804.9  | 865.1  | 890.5  | 909.5  | - | 235.0 | -     | 755.7 | 914.4  | 971.5  | 990.6  |
| DZ9308-0042* | 1066.8 | 1066.8 | 127.0 | 190.5 | 368.3 | -     | 855.7  | 915.9  | 941.3  | 960.4  | - | 235.0 | -     | 806.5 | 965.2  | 1022.4 | 1041.4 |
| DZ9308-0048* | 1219.2 | 1219.2 | 127.0 | 190.5 | 368.3 | 520.7 | 1008.1 | 1068.3 | 1093.7 | 1112.8 | - | 235.0 | -     | 958.9 | 1117.6 | 1174.8 | 1193.8 |
| DZ9308-0060* | 1524.0 | 1524.0 | 127.0 | 190.5 | 368.3 | 520.7 | 1312.9 | 1373.1 | 1398.5 | 1417.8 | - | 235.0 | 596.9 | 958.9 | 1422.4 | 1479.5 | 1498.6 |

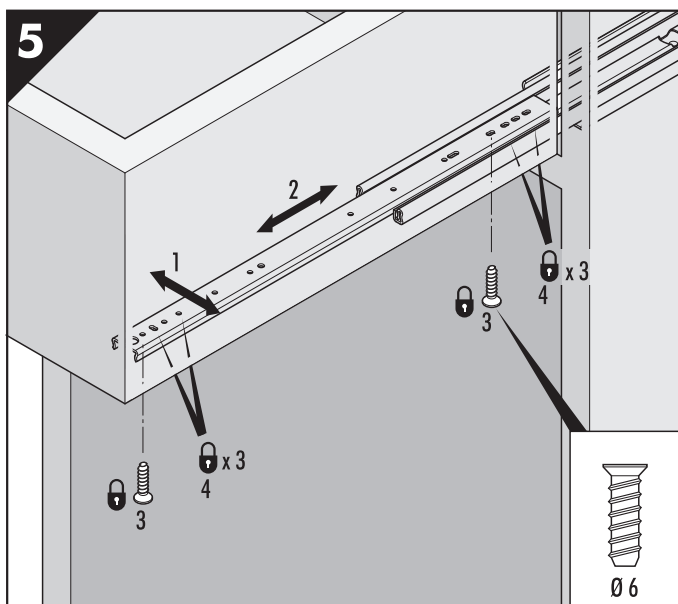
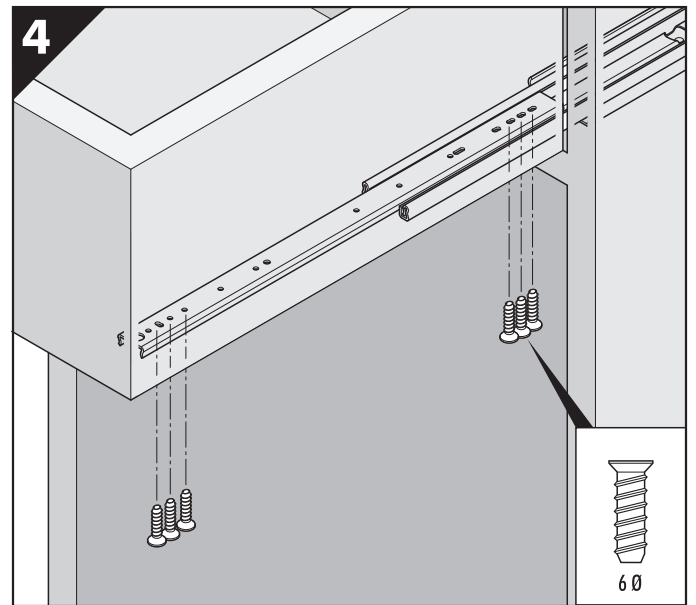
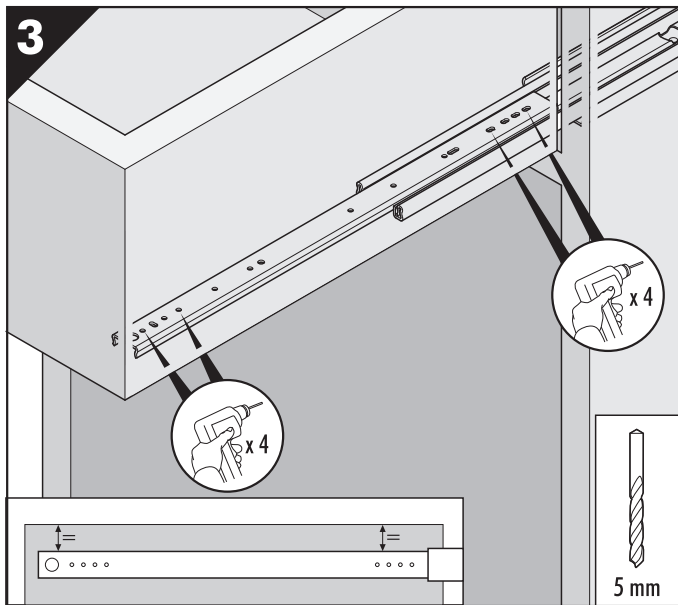
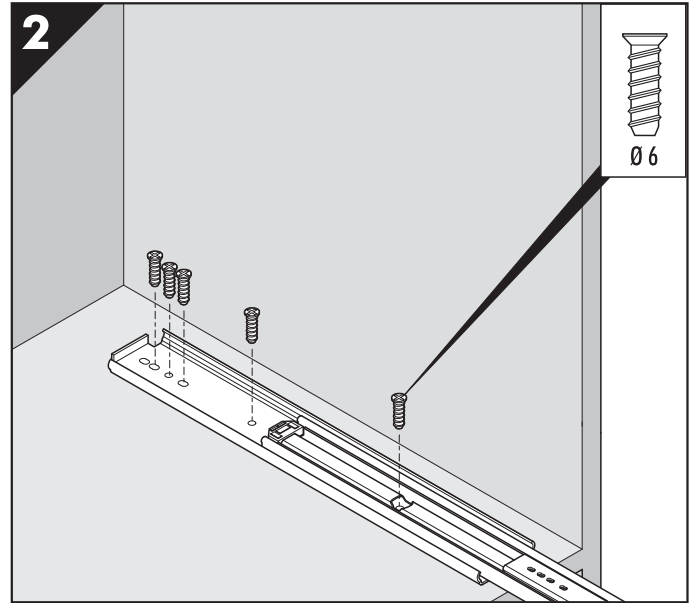
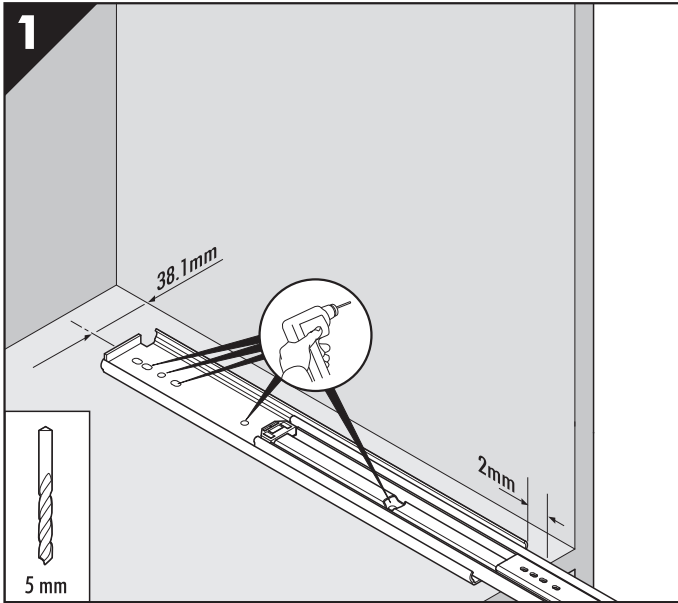
**9301**  227 kg

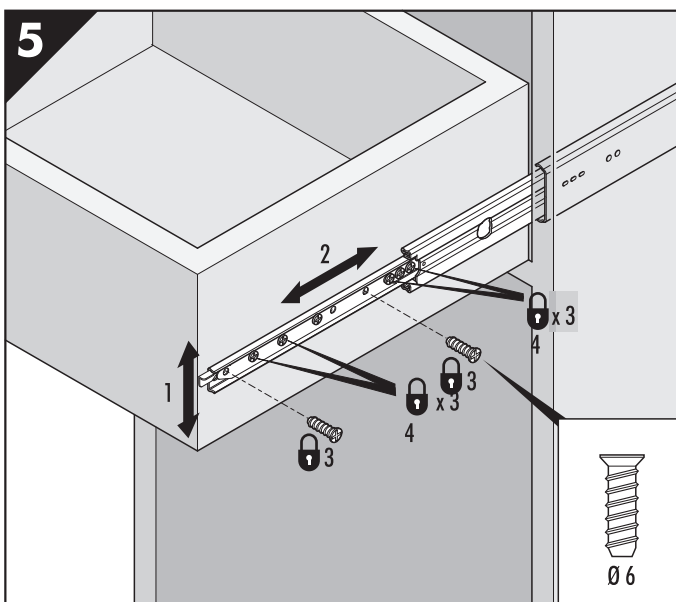
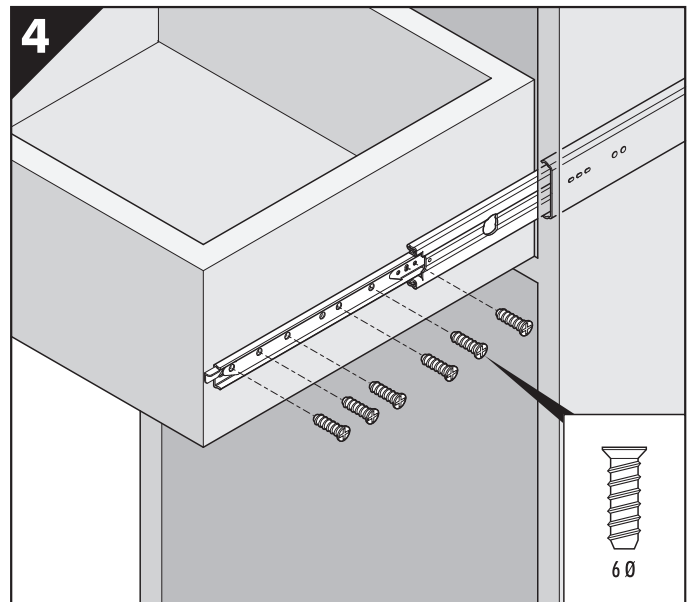
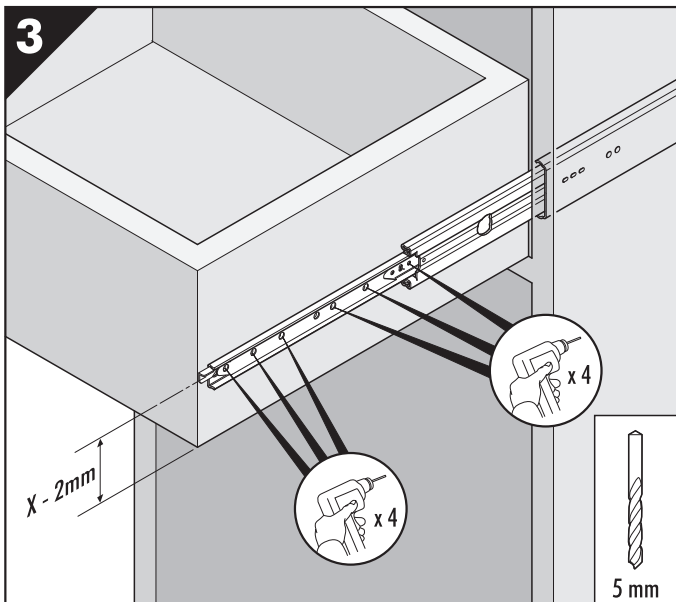
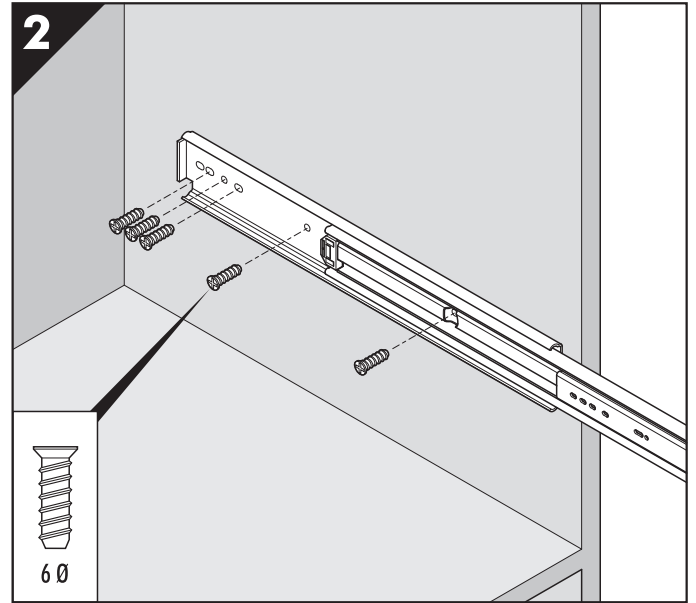
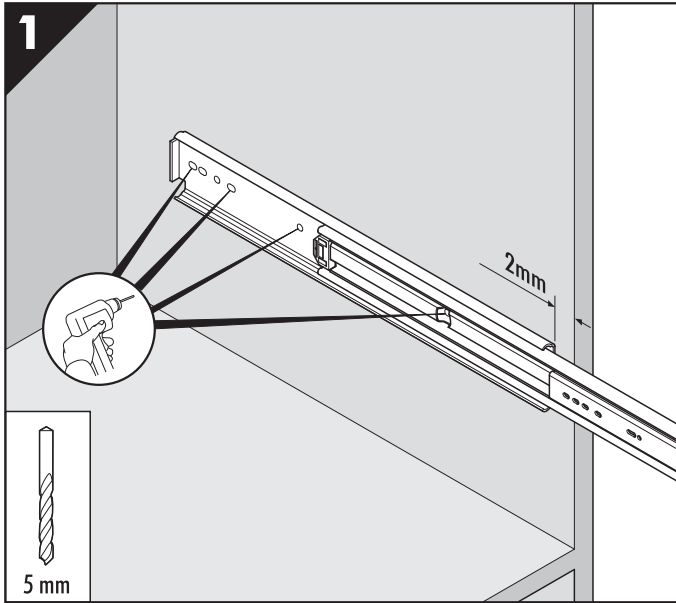
**Accuride®**



**9301**  45 kg

**Accuride**<sup>®</sup>

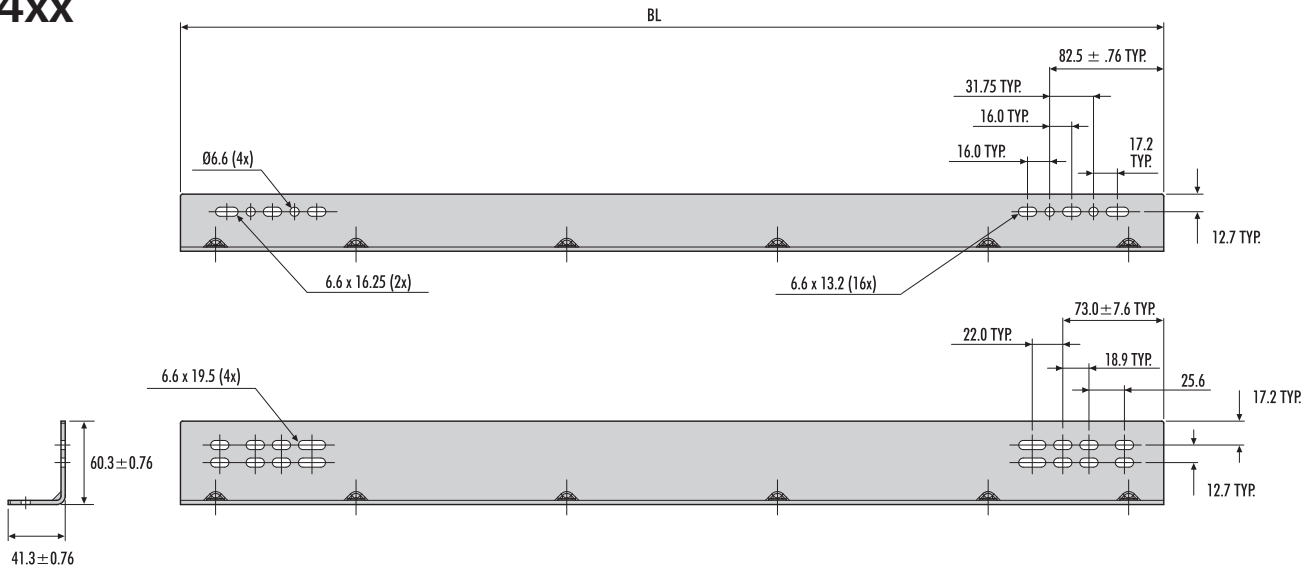




# 634xx

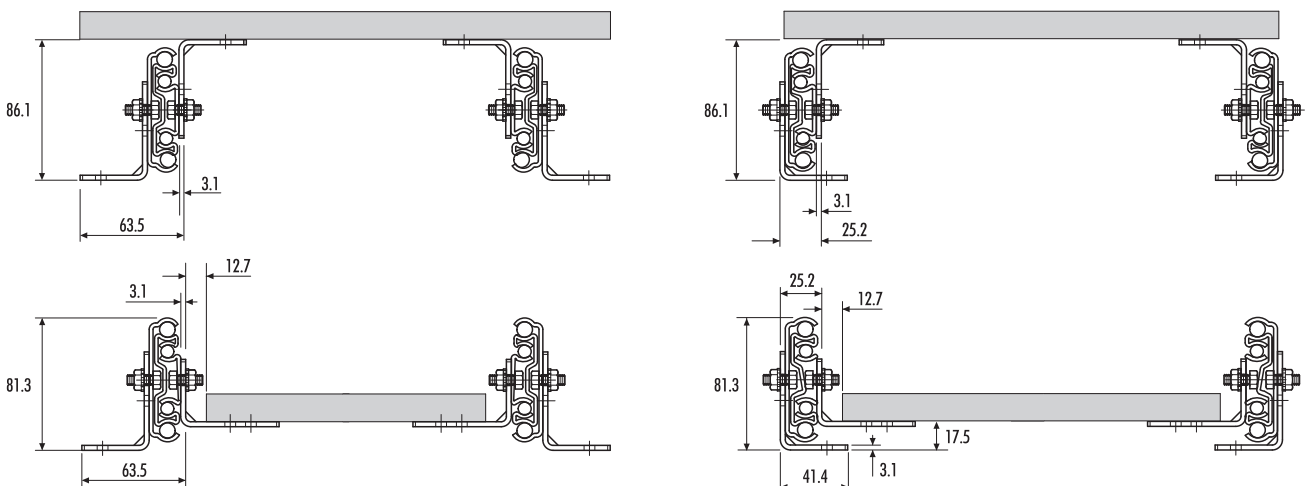


## 634xx



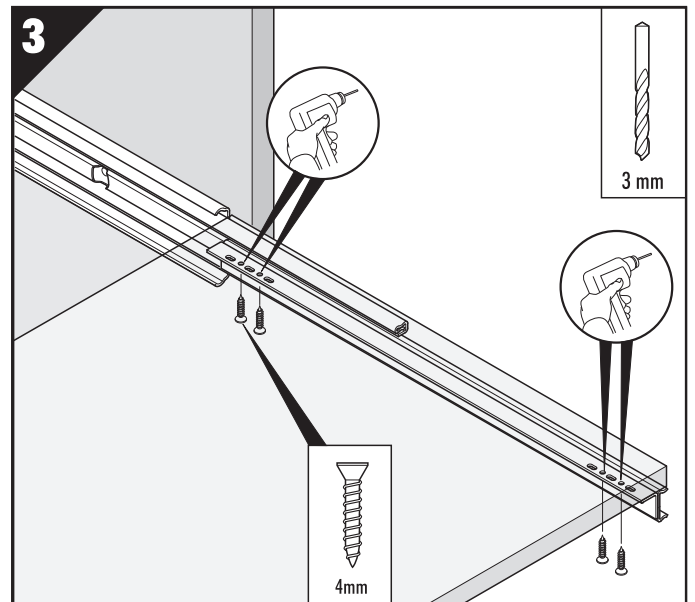
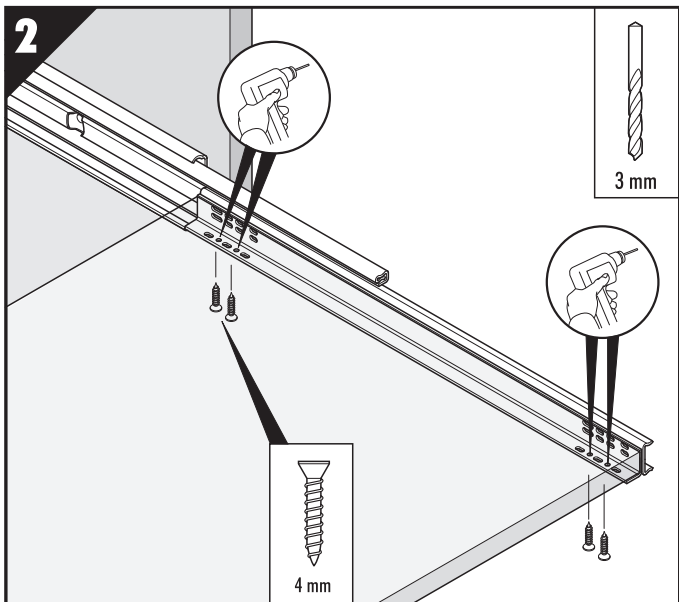
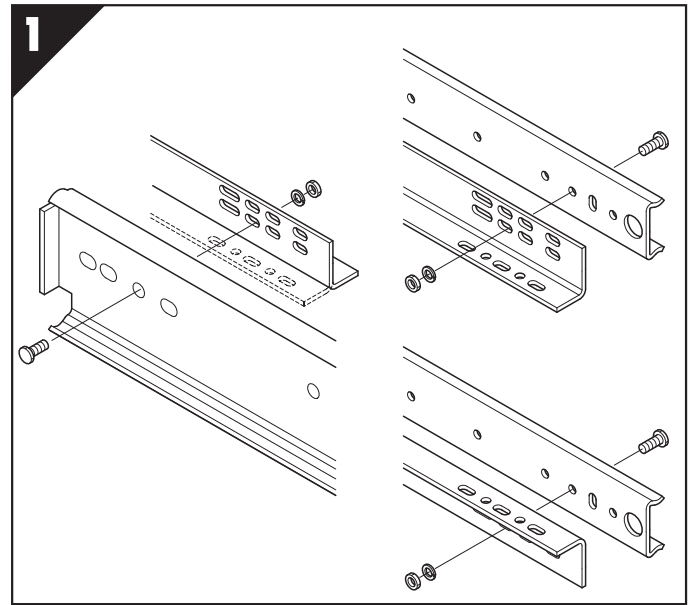
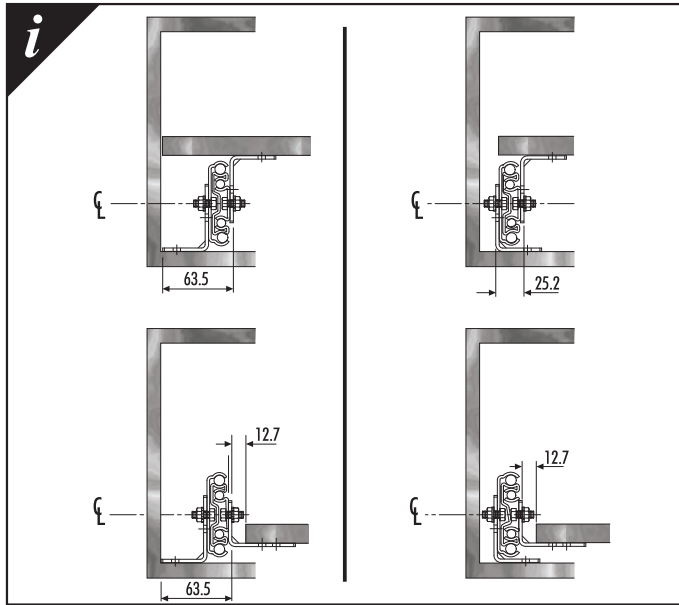
| 9301/9308 | DZ63412-305mm |   | DZ63416-406mm |   | DZ63422-559mm |   | DZ63428-711mm |   |
|-----------|---------------|---|---------------|---|---------------|---|---------------|---|
|           | S             | B | S             | B | S             | B | S             | B |
| 930x-0012 | 1             | 2 | -             | - | -             | - | -             | - |
| 930x-0014 | 1             | 2 | -             | - | -             | - | -             | - |
| 930x-0016 | -             | - | 1             | 2 | -             | - | -             | - |
| 930x-0018 | -             | - | 1             | 2 | -             | - | -             | - |
| 930x-0020 | -             | - | 1             | 2 | -             | - | -             | - |
| 930x-0022 | -             | - | -             | - | 1             | 2 | -             | - |
| 930x-0024 | -             | - | -             | - | 1             | 2 | -             | - |
| 930x-0026 | -             | - | -             | - | 1             | 2 | -             | - |
| 930x-0028 | -             | - | -             | - | -             | - | 1             | 2 |
| 930x-0030 | -             | - | -             | - | -             | - | 1             | 2 |
| 930x-0032 | -             | - | -             | - | -             | - | 1             | 2 |
| 930x-0034 | 2             | 4 | -             | - | -             | - | -             | - |
| 930x-0036 | 2             | 4 | -             | - | -             | - | -             | - |
| 9301-0040 | 1             | 2 | -             | - | 1             | 2 | -             | - |
| 9308-0040 | 1             | 3 | -             | - | 1             | 1 | -             | - |
| 9301-0042 | 1             | 2 | -             | - | 1             | 2 | -             | - |
| 9308-0042 | 1             | 3 | -             | - | -             | - | 1             | 1 |
| 9301-0048 | 1             | 2 | -             | - | -             | - | 1             | 2 |
| 9308-0048 | 1             | 3 | -             | - | -             | - | 1             | 1 |
| 9301-0054 | -             | - | -             | 1 | 2             | 2 | -             | 1 |
| 9301-0060 | -             | - | -             | - | 1             | 2 | 1             | 2 |
| 9308-0060 | -             | - | -             | - | 1             | 3 | 1             | 1 |

### B



# 634xx

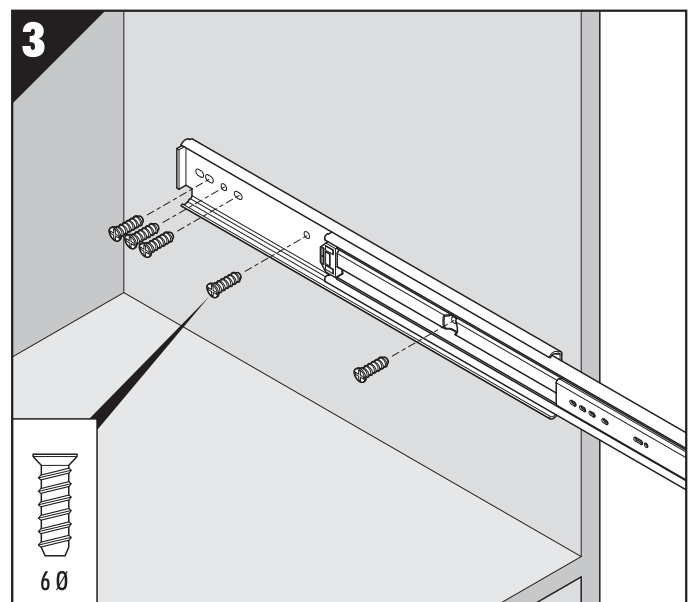
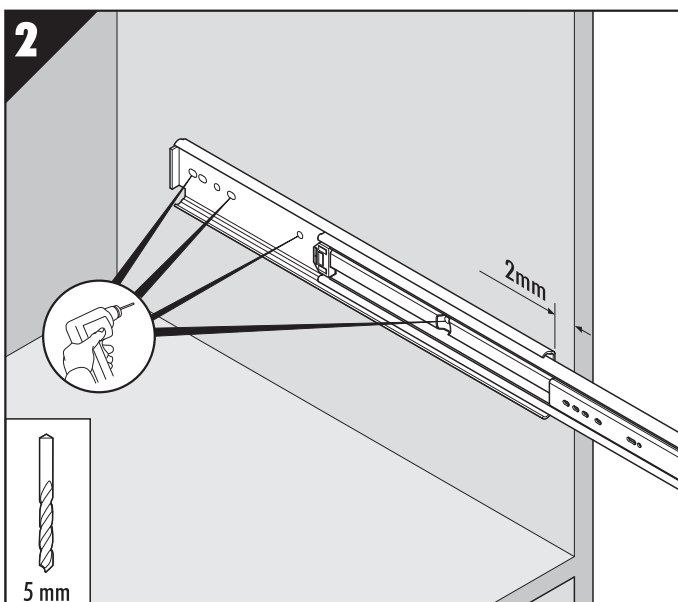
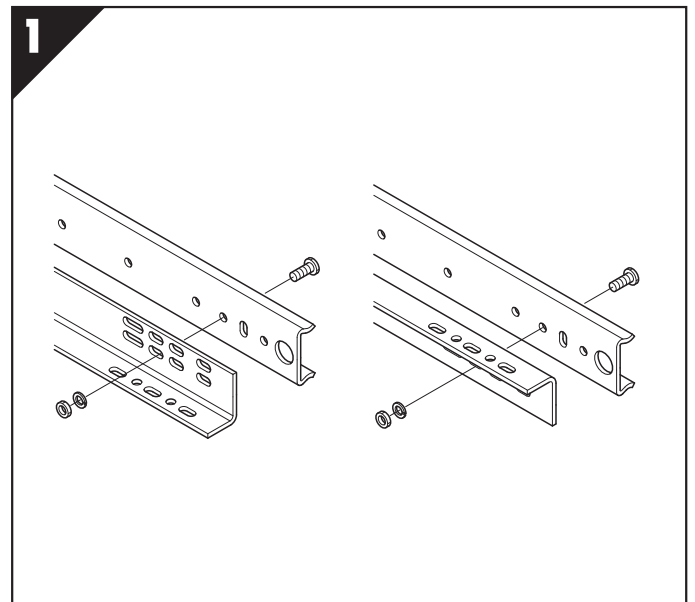
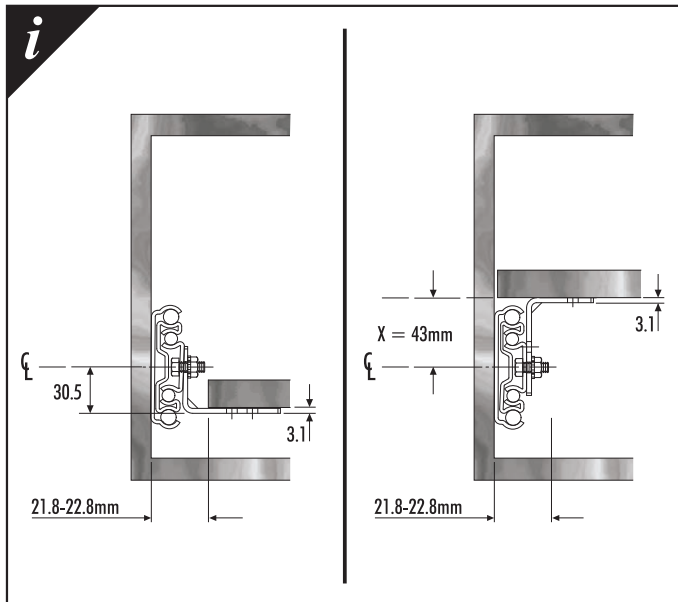
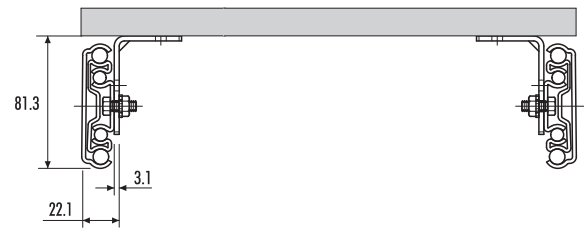
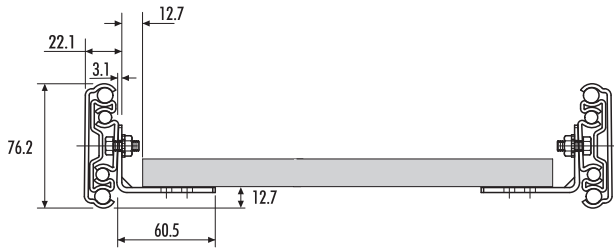
**Accuride**



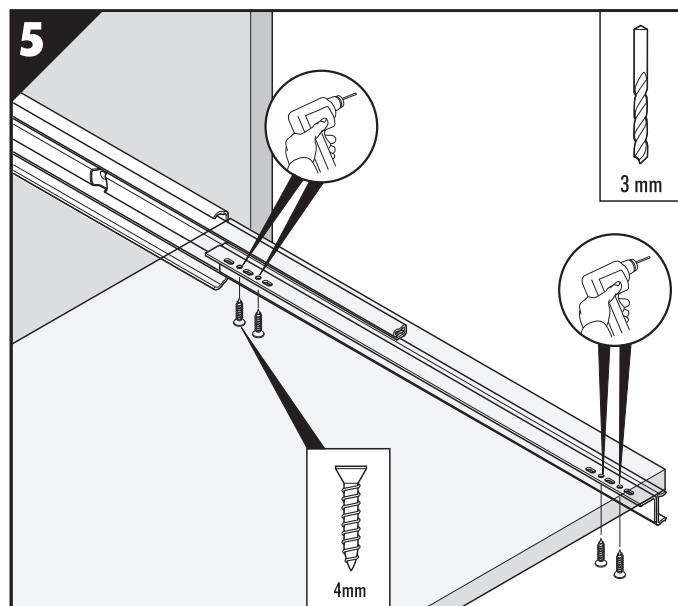
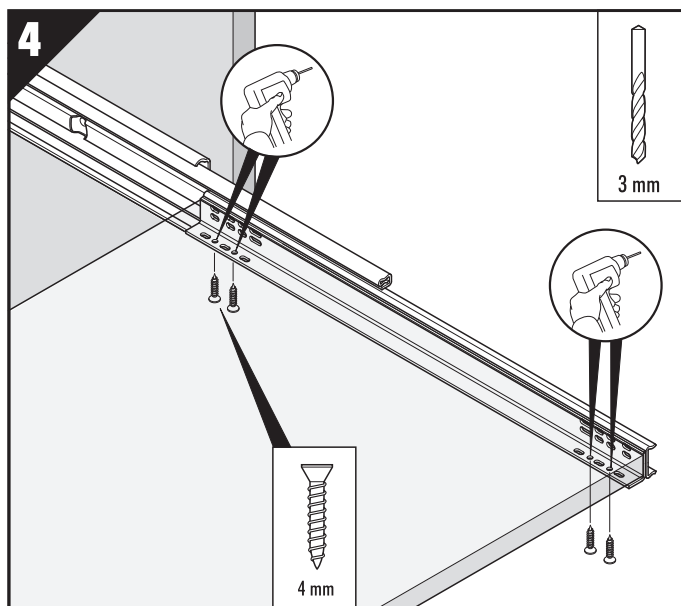
# 634xx

## 634xx

S







**i** 9301/9308/634xx

- GB** All fixings positions must be used to achieve maximum load rating.  
S= Side-Mount  
B= Bottom-Mount  
\*\*\* Carriage bolt cut out
- D** Es sind alle Befestigungspositionen zu verwenden, damit der maximale Lastwert erzielt wird.  
S= Seitenmontage  
B= Montage unten  
\*\*\* Ausschnitt für Schlossschraube
- F** Tous les points de fixation doivent être utilisés pour obtenir la charge maximale.  
S= Sous plateau  
B= Sur plan horizontal  
\*\*\* Découpe pour vis à tête ronde et collet carré

- I** Per ottenere il massimo carico nominale, devono essere usate tutte le posizioni di fissaggio.  
S= Montaggio laterale  
B= Montaggio sul fondo  
\*\*\* Foro per bullone di carrello
- E** Todas las posiciones de fijación deben ser usadas para se conseguir la capacidad máxima de carga.  
S= Montaje lateral  
B= Montaje inferior  
\*\*\* Perforación cuadrada
- PL** Dla uzyskania maksymalnej nośności należy wykorzystać wszystkie punkty montażowe.  
S= Montaż do boku  
B= Montaż od spodu  
\*\*\* Otwór pod śrubę zamkową

## Accuride International Ltd.

Liliput Road, Brackmills Industrial Estate, Northampton  
NN4 7AS, United Kingdom.  
Tel: +44 (0) 1604 761111 Fax: +44 (0) 1604 767190  
E-mail: [saleseurope@accuride.com](mailto:saleseurope@accuride.com)  
[www.accuride-europe.com](http://www.accuride-europe.com)

- GB** If you require further assistance, please contact your distribution agent or supplier.  
Accuride reserve the right to alter specifications without notice.
- D** Bei Fragen wenden Sie sich bitte an Ihren Vertriebspartner.  
Technische Änderungen vorbehalten.
- F** Pour de plus amples renseignements, veuillez contacter votre distributeur.  
Accuride se réserve le droit de modifier les spécifications sans préavis.

## Accuride International GmbH

Werner-von-Siemens-Str. 16-18,  
D-65582 Diez/Lahn, Germany  
Tel: + 49 (0) 6432 608-0 Fax: + 49 (0) 6432 608-320  
[www.accuride.de](http://www.accuride.de)

- I** Qualora necessitate di ulteriore assistenza, contattate il fornitore o il vostro agente.  
Accuride si riserva il diritto di apportare modifiche senza ulteriore comunicazione.
- E** Si necesita más ayuda, póngase en contacto con su agente de distribución o proveedor.  
Accuride se reserva el derecho de alterar las especificaciones sin aviso previo.
- PL** W przypadku dodatkowych pytań proszę zwrócić się do dostawcy.  
Accuride zastrzega sobie prawo do wprowadzania zmian technicznych bez wcześniejszej informacji.