



FF Gehrungsverbinder zweiseitig

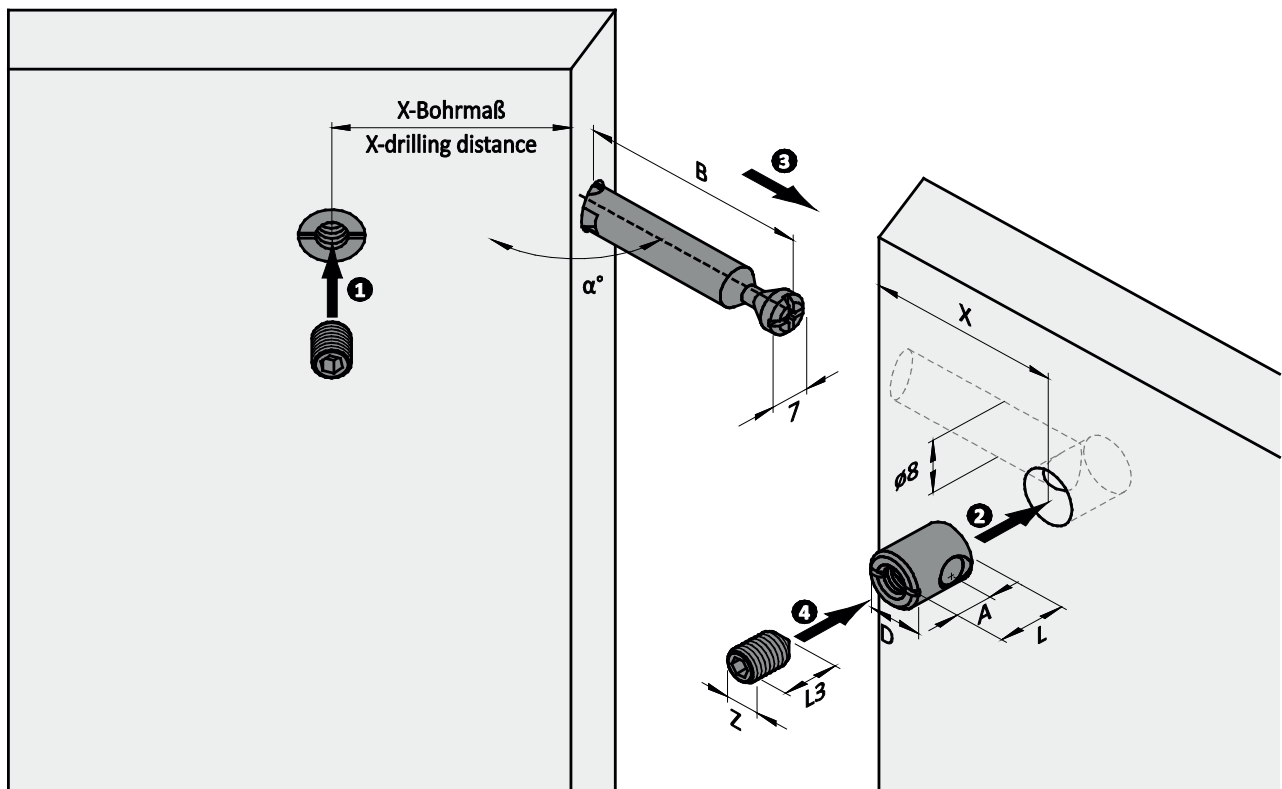
Bestehend aus:

- FF Gehäuse ø15 mm
- FF Gelenkdübel ø7 mm
- FF Gewindestift M8, ISK (Innensechskant)
- Abdeckkappe (optional)

FF Mitre Dowel two sided

Consisting of:

- FF Gehäuse ø15 mm
- FF Mitre Dowel ø7 mm
- FF Grub Screw M8, ISK (hexagon)
- Cover Cap (optional)



Gehäuse/ Housing ø15 mm				
Artikel-Nr. order-no.	Material M	L	A	D
D02004	15-16	11,0	8,0	15
D02005	18-19	13,5	9,0	15
D02006	20-21	14,5	10,0	15
D02007	23	16,0	11,5	15
D02008	29	19,0	14,5	15

Gew.-Stift / Grub Screw M8		
Artikel-Nr. order-no.	L3	ISK Z
D02010	6,0	4,0
D02011	7,5	4,0
D02012	9,0	4,0
D02013	11,0	4,0
D02014	13,0	4,0

Gelenkdübel/ Mitre Dowel ø7 mm			
Artikel-Nr. order-no.	ø	B	
D02032	7,0	94,0	

Abdeckkappe/ Cover Cap		
Artikel-Nr. order-no.	Abm. spec.	Farbe colour
D02030	ø18x1,5	weiß/white
D02031	ø18x1,5	schwarz/black

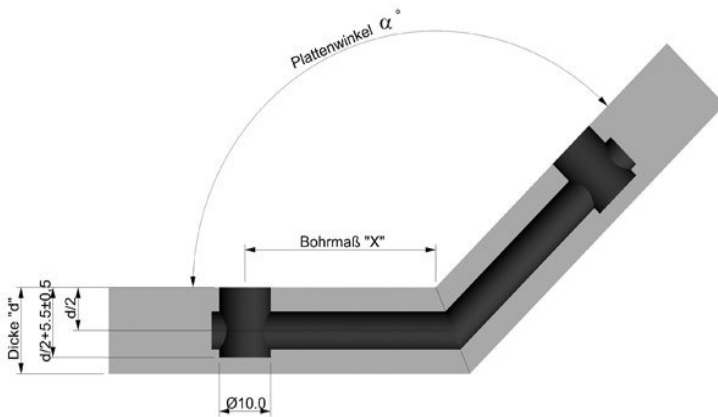
Hinweis/ Pleasenote

→: Gehäuse mit diesem Gewindestift kombinieren / →: Combine Housing with this Grub Screw
M: Materialstärke; Alle Abmessungen in mm / **M:** Board thickness; All dimensions in mm
 Bohrabstand **X** siehe Bohrtabelle / Drilling distance **X** in drilling chart



FF Gehrungsverbinder zweiseitig Bohrabstandstabelle

FF Mitre Connector two sided Drilling distances



Bohrabstand „X“ (theor.) in mm für
FF Gelenkdübel 7/10 mm
Toleranz: -0,5/+1,0 mm
Ein Probeanschlag wird empfohlen!

Drilling distance „X“ (theor.) in mm for
FF Mitre Dowel 7/10 mm
Tolerance: -0,5/+1,0 mm
A test with a sample is recommended!

Winkel α Angle α	Plattenstärke/ board thickness (mm)							
	16,0	18,0	19,0	22,0	23,0	25,0	28,0	29,0
70°	28,5	27,0	26,5	24,5	23,5	22,0	20,0	19,5
75°	29,5	28,5	27,5	25,7	25,0	23,7	22,0	21,0
80°	30,5	28,5	27,5	26,0	25,0	24,0	22,0	21,0
85°	31,5	30,0	29,5	28,0	27,5	26,5	25,0	24,0
90°	32,0	31,0	30,5	29,0	28,5	27,5	26,0	25,5
95°	32,5	32,0	31,5	30,0	29,5	28,5	27,0	26,5
100°	33,5	32,5	32,0	31,0	30,5	29,5	28,5	28,0
105°	34,0	33,0	32,5	32,5	31,0	30,5	29,5	29,0
110°	34,5	33,5	33,5	32,5	32,0	31,0	30,0	30,0
115°	35,0	34,5	34,0	33,0	32,5	32,0	31,0	31,0
120°	35,5	35,0	34,5	34,0	33,5	33,0	32,0	31,5
125°	36,0	35,5	35,0	34,5	34,0	33,5	32,5	32,5
130°	36,5	36,0	35,5	35,0	34,5	34,0	33,5	33,0
135°	36,5	36,5	36,0	35,5	35,0	35,0	34,0	34,0
140°	37,0	36,5	36,5	36,0	36,0	35,5	35,0	34,5
145°	37,5	37,0	37,0	36,5	36,5	36,0	35,5	35,5
150°	38,0	37,5	37,5	37,0	37,0	36,5	36,0	36,0
155°	38,0	38,0	38,0	37,5	37,5	37,0	37,0	37,0
160°	38,5	38,5	38,5	38,0	38,0	38,0	37,5	37,5
165°	39,0	39,0	38,5	38,5	38,5	38,5	38,0	38,0
170°	39,5	39,0	39,0	39,0	39,0	39,0	39,0	38,5
175°	39,5	39,5	39,5	39,5	39,5	39,5	39,5	39,5
180°	40,0	40,0	40,0	40,0	40,0	40,0	40,0	40,0